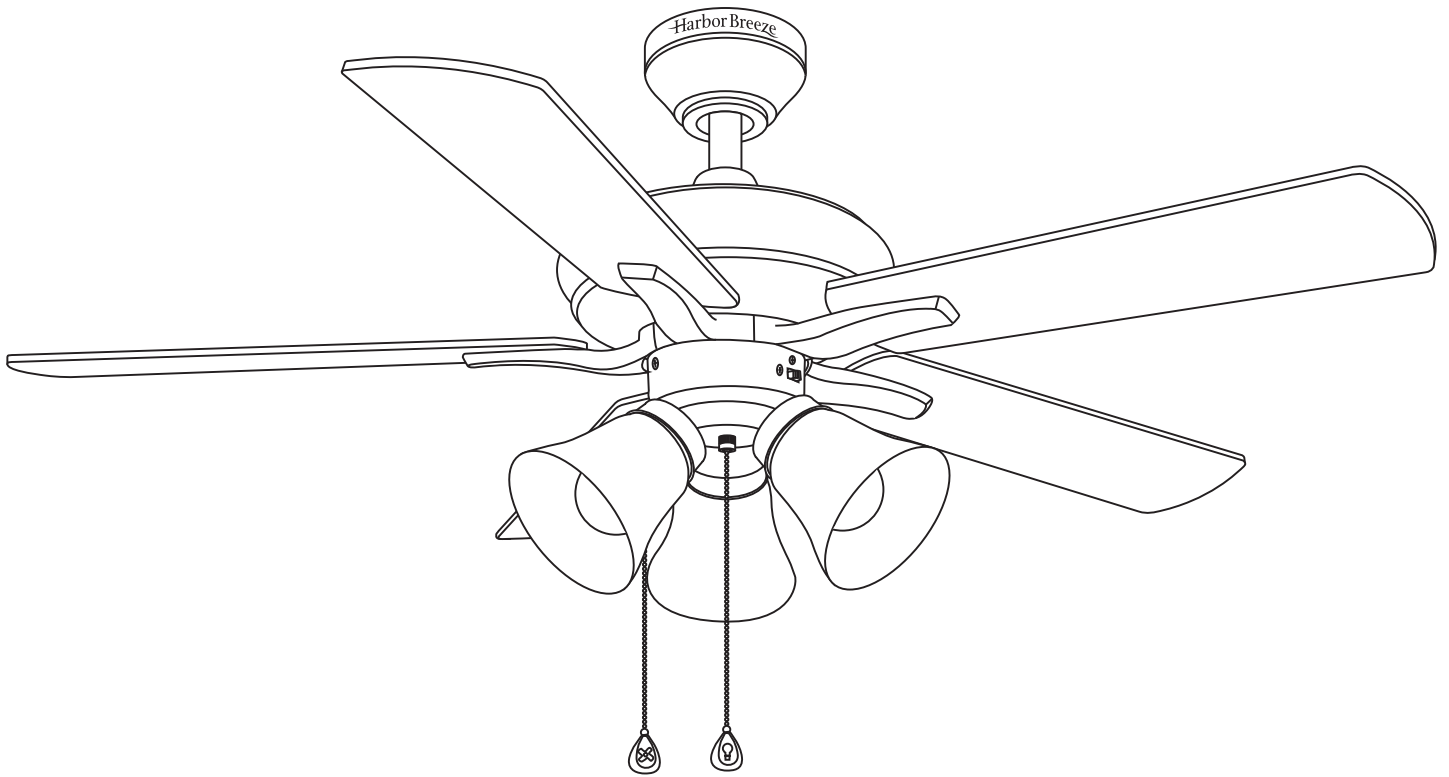




ITEM #0179178, 0176493
LANSING CEILING FAN
MODEL #40198, 40199

Español p. 26

Harbor Breeze® is a registered trademark of LF, LLC. All Rights Reserved.



ATTACH YOUR RECEIPT HERE

Serial Number _____ Purchase Date _____



Questions, problems, missing parts? Before returning to your retailer, call our customer service department at 1-800-643-0067, 8 a.m. - 6 p.m., EST, Monday - Thursday, 8 a.m. - 5 p.m., EST, Friday.

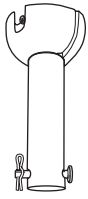


TABLE OF CONTENTS

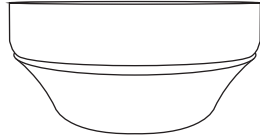
Package Contents	3
Hardware Contents	4
Safety Information	5
Preparation	6
Assembly Instructions	7
Standard or Angled Mounting Instructions.	9
Closemount Instructions	12
Wiring	13
Final Installation.	16
Light Kit Installation	18
Operating Instructions	20
Care and Maintenance	22
Troubleshooting.	23
Limited Lifetime Warranty	24
Replacement Parts List	25



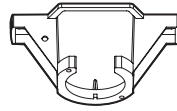
PACKAGE CONTENTS



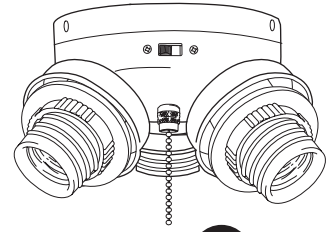
A



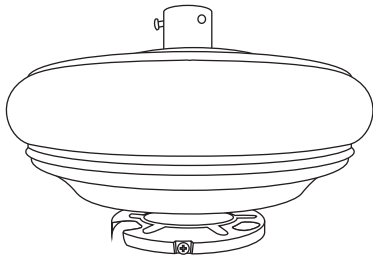
B



C



D



E



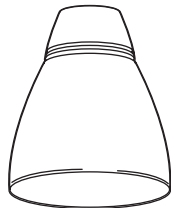
F



G



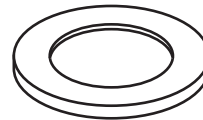
H



I



J

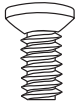


K

PART	DESCRIPTION	QUANTITY
A	Downrod	1
B	Canopy	1
C	Mounting Bracket	1
D	Light Kit Fitter	1
E	Motor Assembly	1
F	Yoke Cover	1
G	Blade Arm	5
H	Blade	5
I	Glass Shade	3
J	Bulb	3
K	Canopy Cover ((preassembled to canopy (B)))	1

HARDWARE CONTENTS

AA



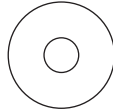
Motor Screw
(preassembled to
Motor Assembly (E))
Qty. 10 and 1 extra

BB



Blade Screw
Qty. 15 + 1
extra

CC



Blade Washer
Qty. 15 + 1 extra

DD



Wire
Connector
Qty. 4

EE



Pull Chain Extension
Qty. 2

FF



Downrod Pin
(preassembled to
Downrod (A))
Qty. 1

GG



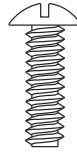
Downrod Clip
(preassembled
to Downrod
(A))
Qty. 1

HH



Motor Housing
Set Screw
(preassembled to
Motor Assembly
(E))
Qty. 2

II



Closemount
Screw
(preassembled
to Motor
Assembly (E))
Qty. 3 + 1
extra

JJ



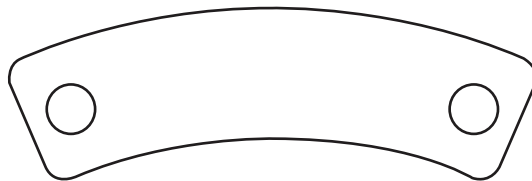
Mounting
Bracket Screw
(preassembled
to Mounting
Bracket (C))
Qty. 4

KK



Plate Screw
(preassembled to
Motor Assembly (E))
Qty. 3

LL



Blade Isolator
Qty. 5



SAFETY INFORMATION

Please read and understand this entire manual before attempting to assemble, operate, or install the product.

- Before you begin installing the fan, disconnect the power by removing fuses or turning off the circuit breakers.
- Make sure that all electrical connections comply with local codes, ordinances, the National Electrical Code, and ANSI/NFPA 70-199. Hire a qualified electrician or consult a do-it-yourself wiring handbook if you are unfamiliar with installing electrical wiring.
- Make sure the installation site you choose allows a minimum clearance of 7 ft. from the blades to the floor and at least 30 in. from the end of the blades to any obstruction.
- The net weight of this fan is: 14.01 lbs.



DANGER: When using an existing outlet box, make sure the outlet box is securely attached to the building structure and can support the full weight of the fan. Failure to do this can result in serious injury or death. The stability of the outlet box is essential in minimizing wobble and noise in the fan after installation is complete.



WARNING: To avoid personal injury, the use of gloves may be necessary while handling fan parts with sharp edges.



WARNING: Using a full-range dimmer switch to control fan speed will cause a loud humming noise from the fan. To reduce the risk of fire or electric shock, do NOT use a full-range dimmer switch to control the fan speed.



WARNING: To reduce the risk of fire, electric shock, or personal injury, mount the fan to an outlet box marked “ACCEPTABLE FOR FAN SUPPORT” and use the mounting screws provided with the outlet box. Most outlet boxes commonly used for the support of lighting fixtures are not acceptable for fan support and may need to be replaced. Consult a qualified electrician if in doubt. Secure the outlet box directly to the building structure. The outlet box and its support must be able to support the moving weight of the fan (at least 35 lbs.). Do NOT use a plastic outlet box.



WARNING: To reduce the risk of fire, electrical shock, or personal injury, wire connectors provided with this fan are designed to accept only one 12 gauge house wire and two lead wires from the fan. If your house wire is larger than 12 gauges or there is more than one house wire to connect to the two fan lead wires, consult an electrician for the proper size wire connectors to use.



WARNING: To reduce the risk of fire or electric shock, do not use the fan with any solid-state speed-control device or control the fan speed with a full-range dimmer switch.



WARNING: To reduce the risk of fire, electric shock, or personal injury, do not bend the blade arms when installing them, balancing the blades, or cleaning the fan. Do not insert objects between the rotating fan blades.



WARNING: To reduce the risk of personal injury, use only parts provided with this fan. The use of parts OTHER than those provided with this fan will void the warranty.





SAFETY INFORMATION

CAUTION: Read all instructions and safety information before installing your new fan. Review the accompanying assembly diagrams.

CAUTION: Be sure the outlet box is properly grounded or that a ground (green or bare) wire is present.

CAUTION: Carefully check all screws, bolts, and nuts on the fan motor assembly to ensure that they are secured.

PREPARATION

Before beginning the assembly of this product, ensure that all parts are present. Compare all parts with the package contents list and hardware contents list. If any part is missing or damaged, do not attempt to assemble the product.

After opening the top of the carton, remove the mounting hardware package from the foam inserts, then remove the motor from the packaging and place it on a soft surface, such as a carpet, to avoid damage to the finish.

Estimated Assembly Time: 90 minutes

Tools Required for Assembly (not included): Electrical Tape, Phillips Screwdriver, Pliers, Safety Glasses, Step Ladder, and Wire Strippers

Helpful Tools (not included): AC Tester Light, Tape Measure, Wiring Handbook, and Wire Cutters



ASSEMBLY INSTRUCTIONS

1. Turn off the circuit breakers and the wall switch to the fan supply line leads.

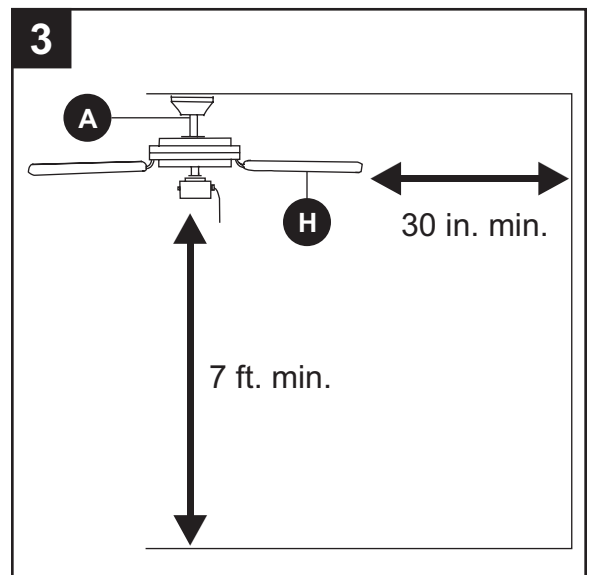
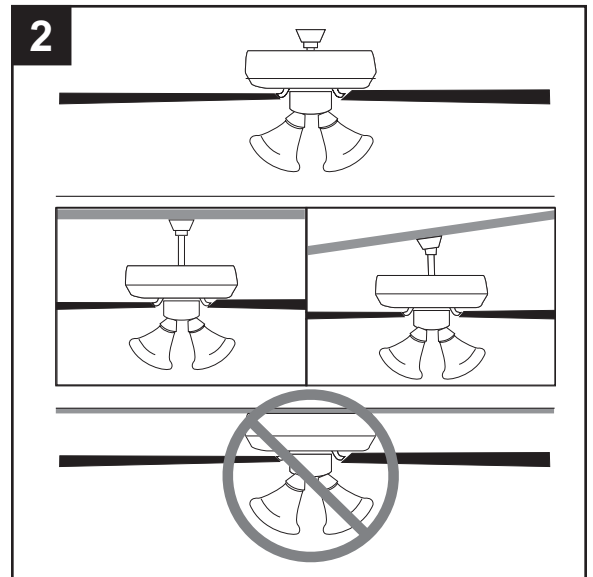
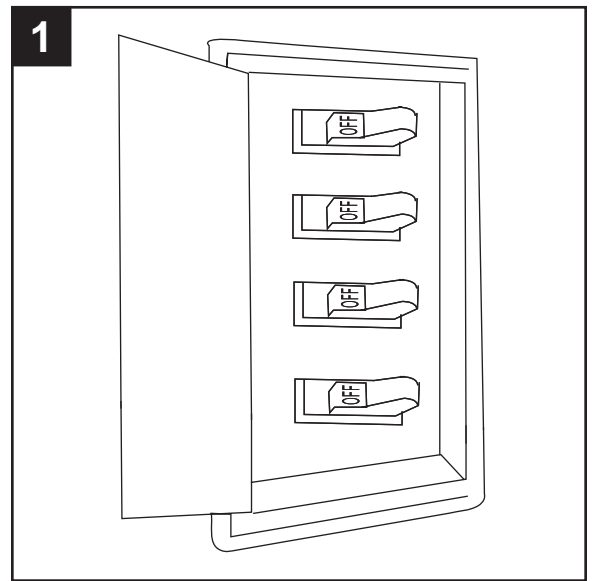
⚠ DANGER: Failure to disconnect the power supply prior to installation may result in serious injury or death.

2. Determine the mounting methods to use.

Note: Flushmount installation is not available for this item.

Important: If using the angle mount, check to ensure the ceiling angle is not steeper than 20°

3. Ensure that the blades (H) will be at least 30 in. from any obstructions. Also check the downrod (A) length to ensure the blades (H) will be at least 7 ft. above the floor.



ASSEMBLY INSTRUCTIONS

- Secure the mounting bracket (C) to the outlet box using screws, spring washers, and flat washers provided with the outlet box (not included).

Note: It is very important that you use the proper hardware when installing the mounting bracket (C) as this will support the fan.

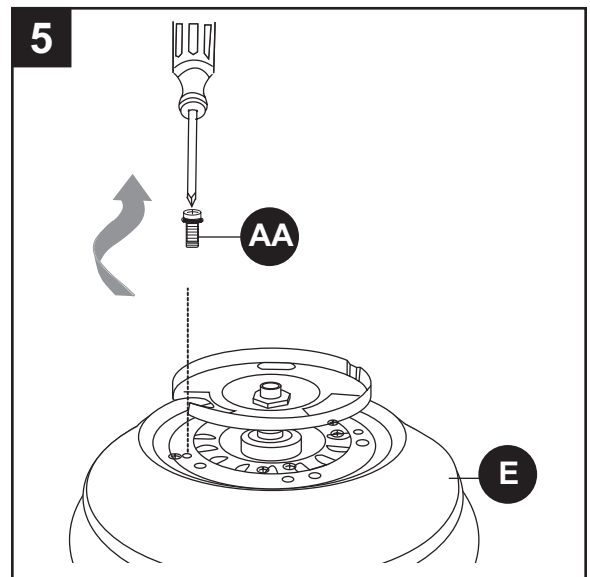
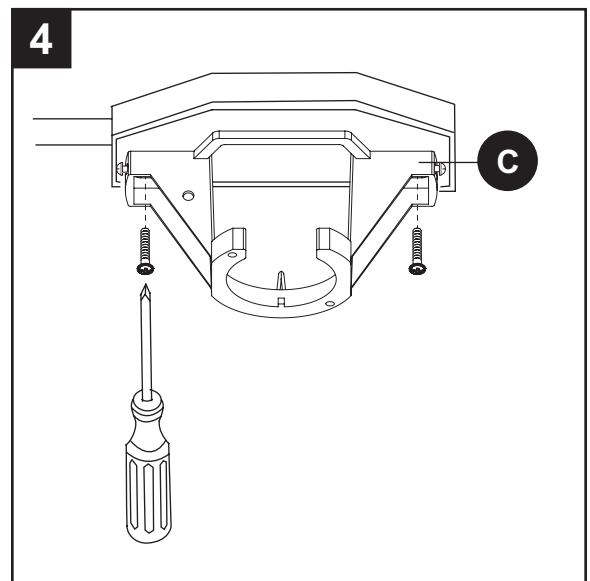
Important: If using the angle mount, ensure that the open end of the mounting bracket (C) is installed facing the higher point of the ceiling.

- Remove the motor screws (AA) from the underside of the motor assembly (E).

Note: If there are plastic motor blocks installed with the motor screws (AA), discard them but keep the screws.

Hardware Used

AA Motor Screw  x 10






STANDARD OR ANGLED MOUNTING INSTRUCTIONS

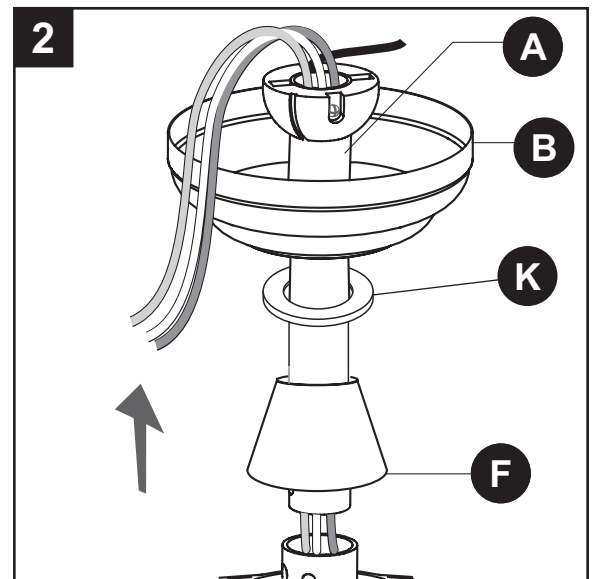
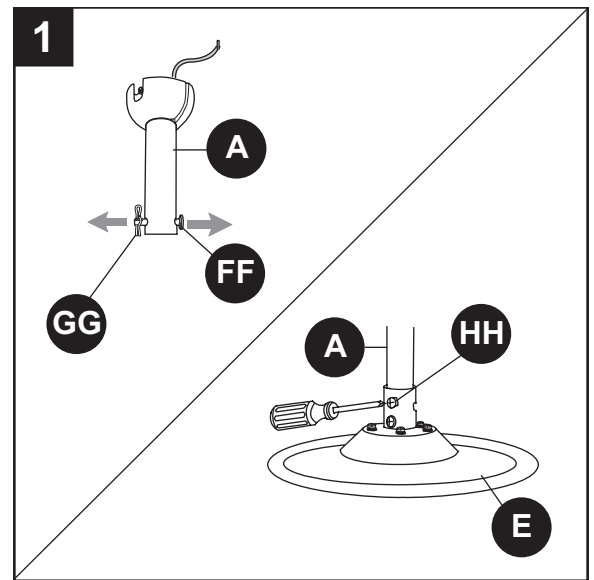
1. Remove the downrod pin (FF) and downrod clip (GG) from the downrod (A). Then partially loosen the motor-housing set screws (HH) in the yoke at the top of the motor assembly (E).

Help Hint: Downrod style mounting is best suited for ceilings 8 ft. or higher. For taller ceilings you may want to use a longer downrod (not included). Angle style mounting is best suited for angled or vaulted ceilings. A longer downrod is sometimes necessary to ensure proper blade clearance.

Hardware Used

- | | | | |
|-----------|-------------------------|--|-----|
| FF | Downrod Pin |  | x 1 |
| GG | Downrod Clip |  | x 1 |
| HH | Motor Housing Set Screw |  | x 2 |

2. Insert the downrod (A) through the canopy (B), canopy cover (K), and yoke cover (F). Thread the wires from the motor housing (E) through the downrod (A).



STANDARD OR ANGLED MOUNTING INSTRUCTIONS

- Slide the downrod (A) into the yoke of the motor assembly (E), align the holes, and re-install the downrod clip (GG) and pin (FF). Then re-tighten the motor housing set screws (HH) and slide the yoke cover (F) down until it rests on top of the motor assembly (E).

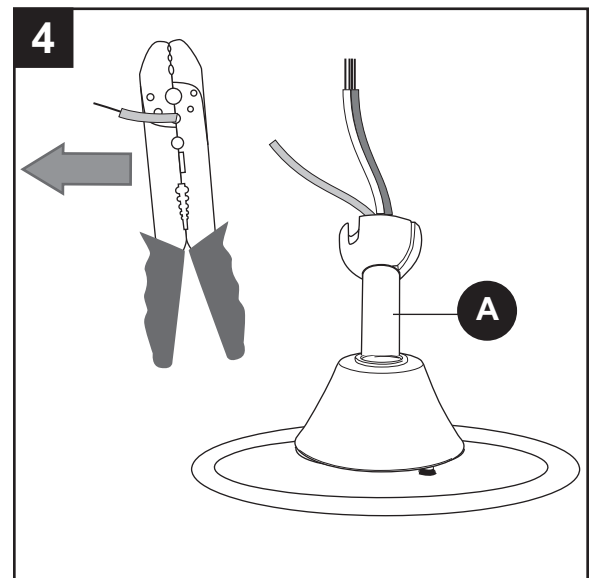
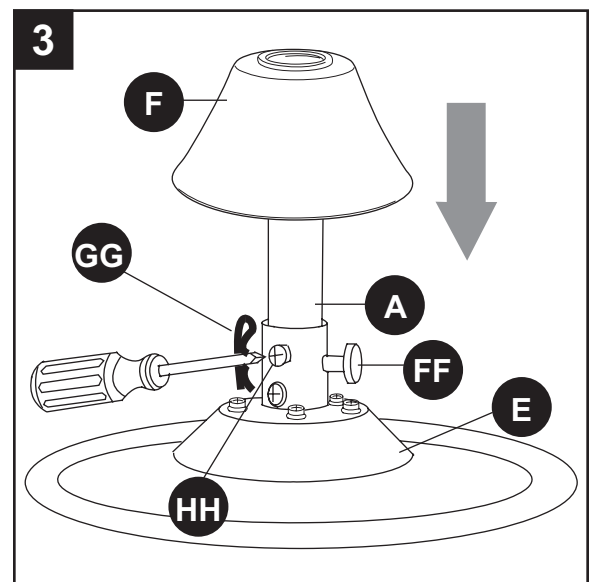
Hardware Used

FF Downrod Pin  x 1

GG Downrod Clip  x 1

HH Motor Housing Set Screw  x 2

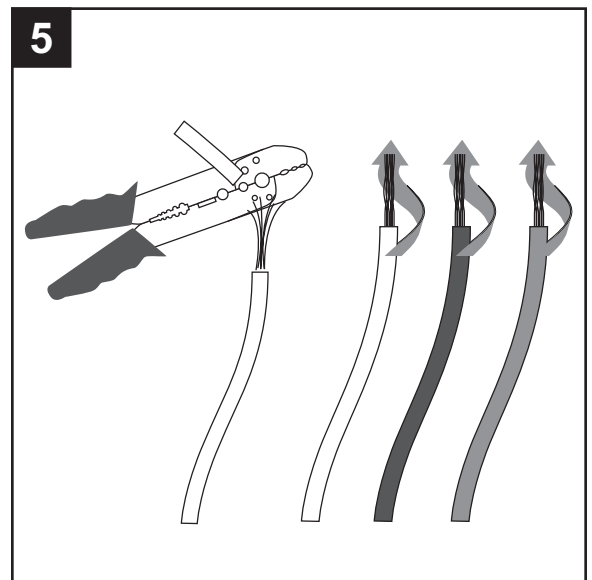
- Depending on the length of downrod (A) you use, you may need to cut the lead wires back to simplify the wiring. If you decide to cut back the lead wires, it is suggested that you do so in the following manner: Take the lead wires and make sure that you have pulled them all the way through the top of the downrod (A) and measure 8 in. of lead wire, and then cut the excess wire off with wire cutters (not included).



STANDARD OR ANGLED MOUNTING INSTRUCTIONS

5. If you decided to cut back the lead wire in Step 4, strip 1/2 in. of insulation from the end of the white wire. Twist the stripped ends of each strand of wire within the insulation with pliers (not included). Repeat this step for black, blue (if applicable) and green wires.

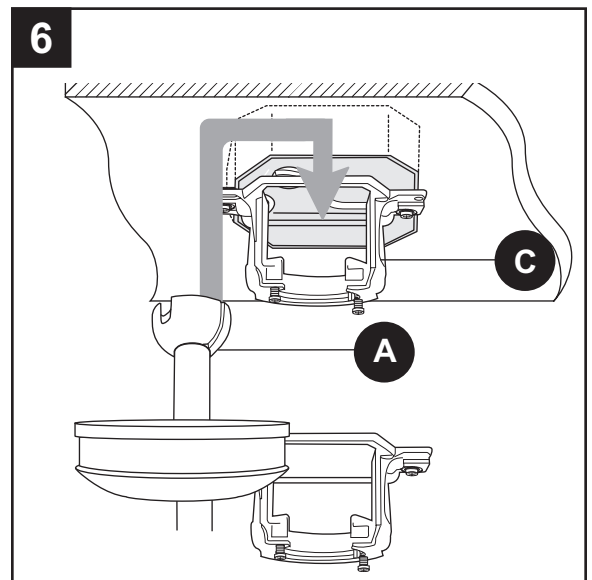
Important: If you did not cut back the lead wires in Step 4, Step 5 is not necessary and you may proceed to Step 6.



6. Install the ball end of the downrod (A) into the mounting bracket (C) opening. Align the slot in the ball with the tab in the mounting bracket (C). The rod should not rotate if it is done correctly.

! DANGER: Failure to align the slot in the ball with the tab in the mounting bracket (C) may result in serious injury or death.

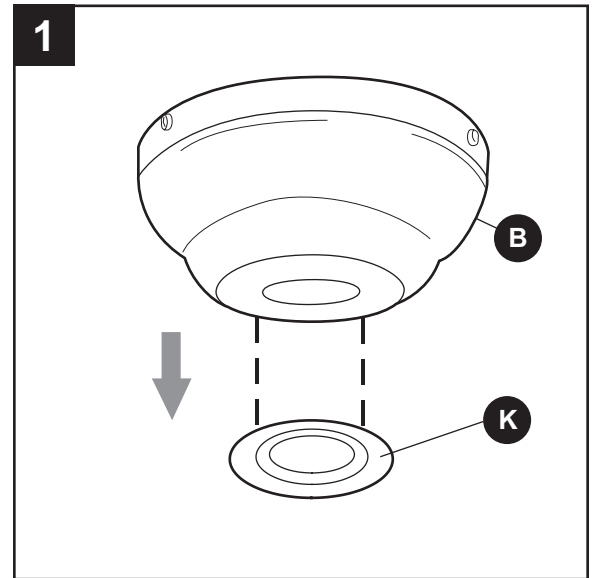
Proceed to the Wiring section of this manual.



CLOSEMOUNT INSTRUCTIONS

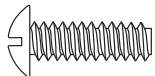
1. Remove the canopy cover (K) from the bottom of the canopy (B)

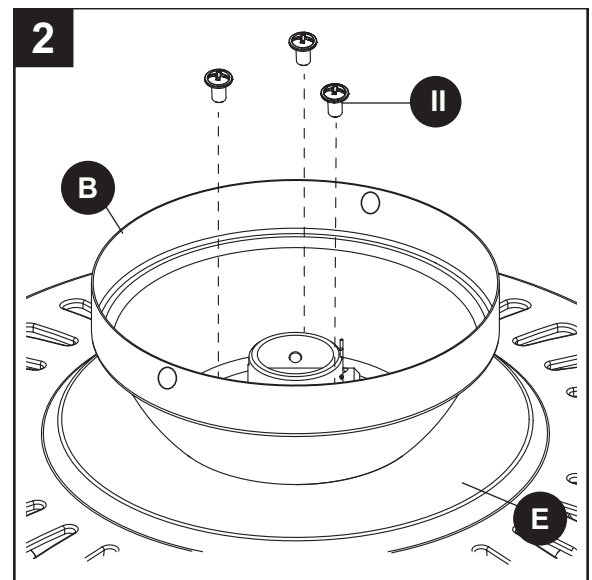
Helpful Hint: Closemount-style mounting is more suitable for ceilings lower than 8 ft. (2.44 m) high. The downrod, hanging ball, and canopy cover are not used in this type of installation.



2. Align the canopy (B) with the holes in the top of the motor assembly (E). Secure the canopy (B) to the top of the motor assembly (E) with the closemount screws (II).

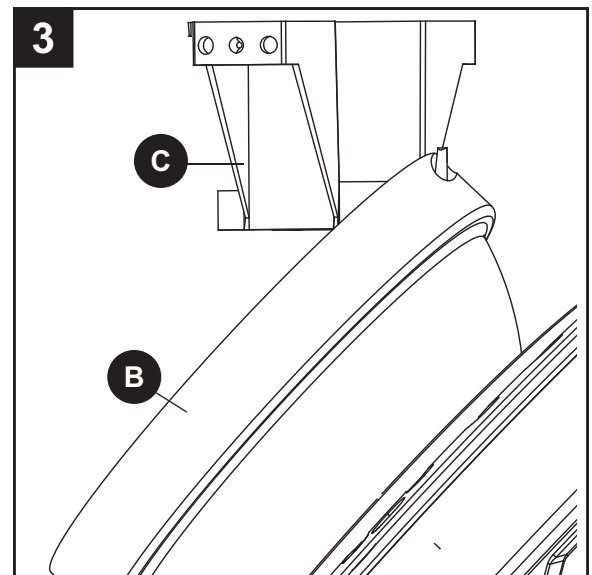
Hardware Used

II Closemount Screw  x 3



3. Raise the fan and place the canopy (B) on the mounting bracket (C) hook for wiring.

Proceed to the Wiring section of this manual.



WIRING

WARNING: To reduce the risk of fire, electrical shock, or personal injury, wire connectors provided with this fan are designed to accept only one 12 gauge house wire and two lead wires from the fan. If your house wire is larger than 12 gauges and there is more than one house wire to connect to the two fan lead wires, consult an electrician for the proper size wire connectors to use.

WARNING: If the house wires are different colors than referred to in the following step, stop immediately. A professional electrician is recommended to determine the correct wiring scheme.

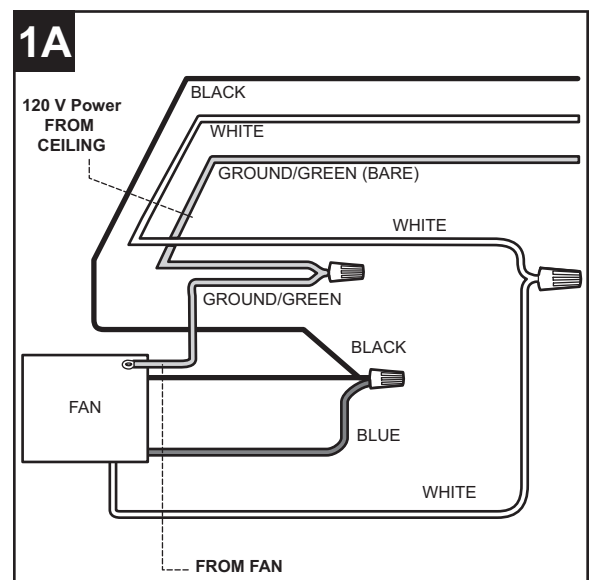
CAUTION: Be sure the outlet box is properly grounded or that a Ground (Green or Bare) wire is present. Choose a wiring diagram from the three choices below that fits your situation and make the appropriate wiring connections as follows:

1A. FAN AND LIGHT CONTROLLED BY PULL

CHAINS: Connect the Black and Blue wires from the fan to the Black wire from the ceiling. Connect the White wire from the fan to the White wire from the ceiling. Connect all Ground (Green) wires together from the fan to the Bare/Green wire from the ceiling. Secure all wiring connections together with wire connectors (DD).

Hardware Used

DD Wire Connector  x 4

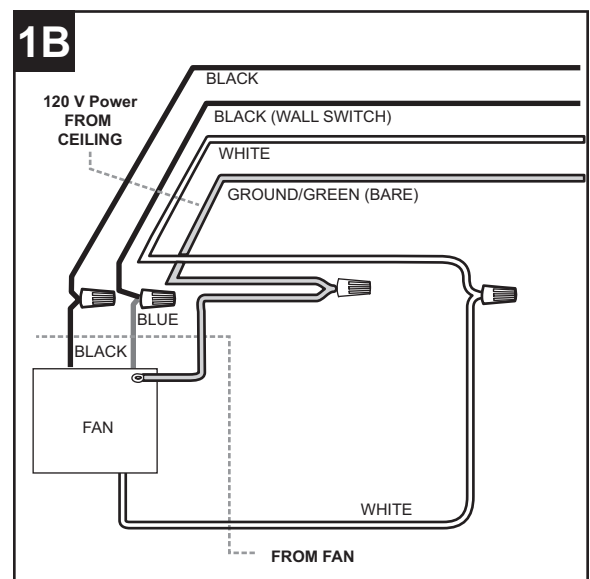


1B. FAN CONTROLLED BY PULL CHAIN, LIGHT BY

WALL SWITCH: To control the fan by pull chains and the light with a separate wall switch, connect the Black wire from the fan to the Black wire from the ceiling. Connect the Blue wire from the fan to the Black wire from the wall switch for the light. Connect the White wire from the fan to the White wire from the ceiling. Connect all Ground (Green) wires together from the fan to the Bare/Green wire from the ceiling. Secure all wiring connections together with wire connectors (DD).

Hardware Used

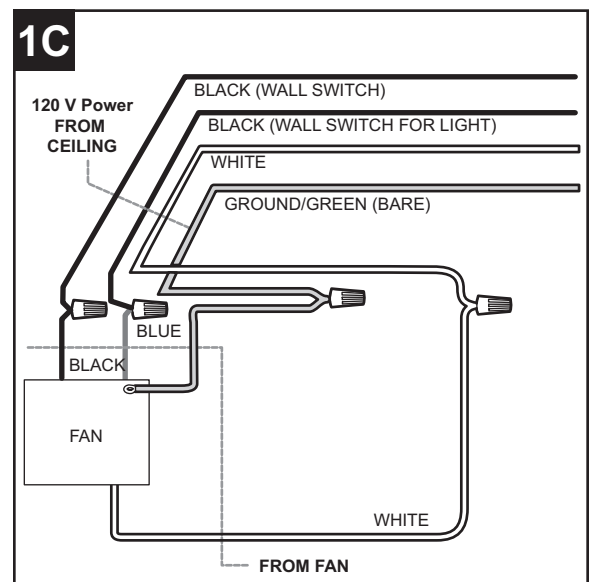
DD Wire Connector  x 4




WIRING

1C. FAN AND LIGHT CONTROLLED BY TWO WALL SWITCHES: To control the fan and light with separate wall switches, connect the Black wire from the fan to the Black wire from the wall switch for the fan. Connect the Blue wire from the fan to the Black wire from the wall switch for the light. Connect the White wire from the fan to the White wire from the ceiling. Connect all Ground (Green) wires together from the fan to the Bare/Green wire from the ceiling. Secure all wiring connections together with wire connectors (DD).

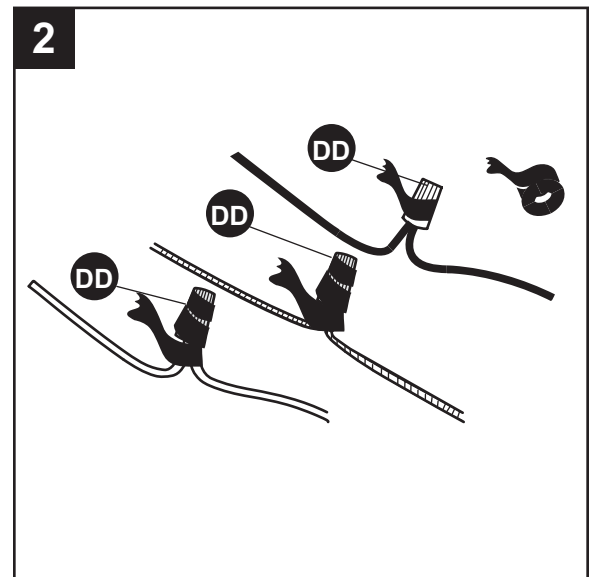
Note: The Black wire is hot power for the fan. The Blue wire is hot power for the light kit. The White wire is common for the fan and light kit. The Green (Bare) wire is ground.



Hardware Used

DD Wire Connector  x 4

2. Wrap electrical tape (not included) around each individual wire connector (DD) down to the wire.

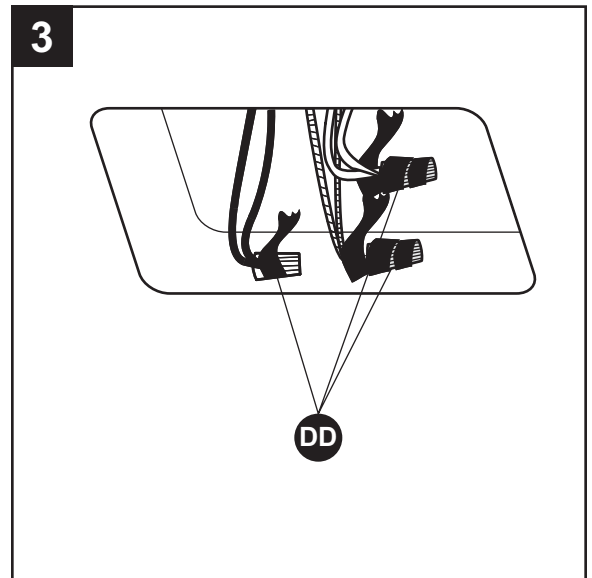


WIRING

3. Turn the spliced/taped wires upward and gently push the wires and wire connectors (DD) into the outlet box.

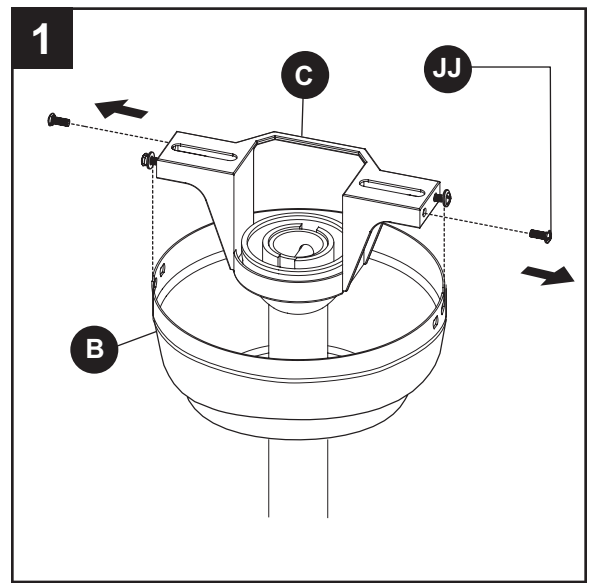


WARNING: Ensure that no bare wire or wire strands are visible after making connections. Place the Green and White wire connections on opposite sides of the outlet box from the Black and Blue (if applicable) wire connections.

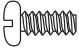


FINAL INSTALLATION

1. Remove the two mounting bracket screws (JJ) from the mounting bracket (C) and loosen the other two screws about 1/4 in. Then align the canopy (B) up to the ceiling over the loose mounting bracket screws (JJ). Place the keyholes of the canopy (B) into the mounting bracket screws (JJ) and rotate clockwise.




Hardware Used

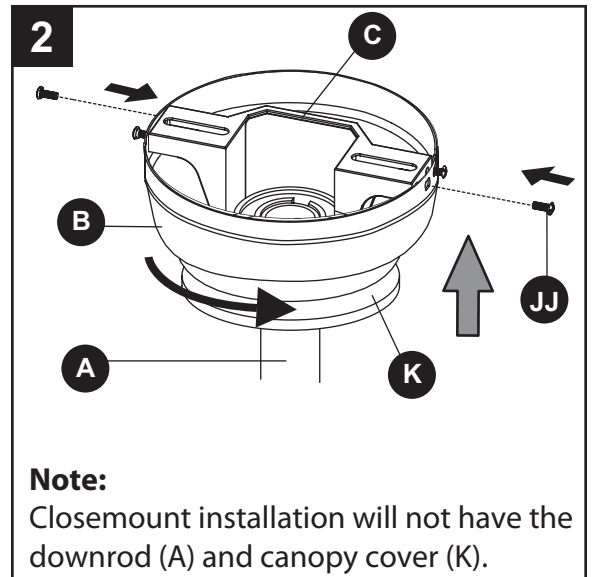
JJ Mounting Bracket Screw  x 4

2. Secure the canopy (B) with the previously removed mounting bracket screws (JJ) and securely tighten all four mounting bracket screws (JJ). Push the canopy cover (K) up into the bottom of the canopy (B) until it is locked.

Note: Closemount installation will not have the downrod (A) and canopy cover (K).

Hardware Used

JJ Mounting Bracket Screw  x 4



Note:

Closemount installation will not have the downrod (A) and canopy cover (K).

FINAL INSTALLATION

3. Partially insert three blade screws (BB) along with three blade washers (CC) through one blade (H) and into one blade arm (G). Tighten each blade screw (BB) with a Phillips screwdriver (not included), starting with the one in the middle. Repeat this step for the remaining blades (H) and blade arms (G).

Hardware Used

BB Blade Screw  x 15

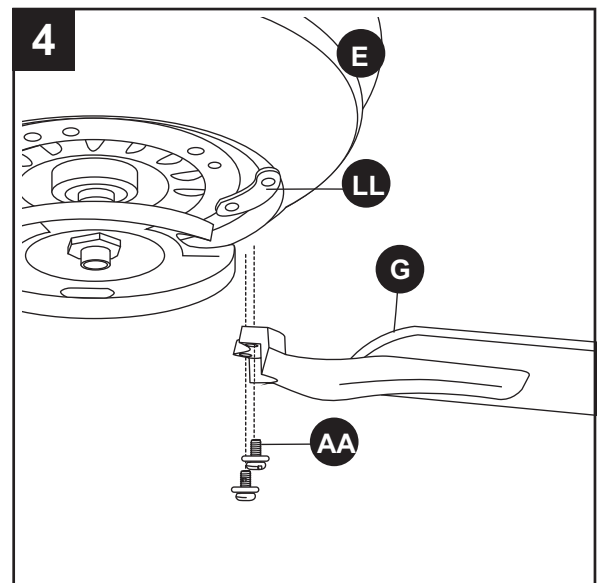
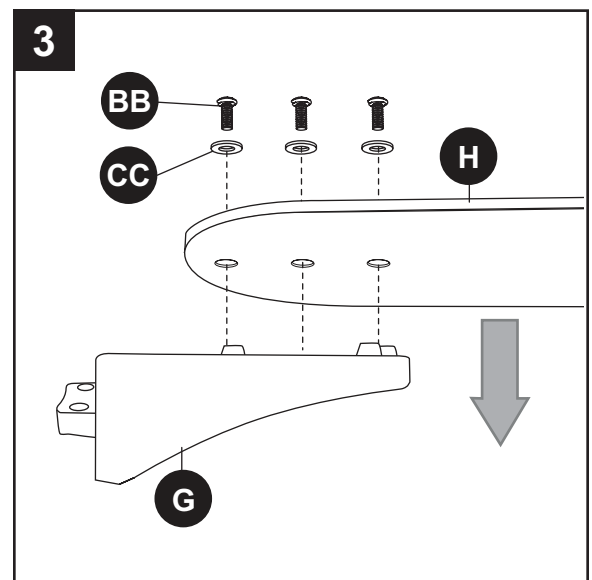
CC Blade Washer  x 15

4. Align a blade arm (G) and a blade isolator (LL) with two holes underneath the motor (E) and insert two of the previously-removed motor screws (EE) through the blade arm (G) and into the motor (D). Tighten the screws securely. Repeat this step for the remaining blade arms (G).

Hardware Used

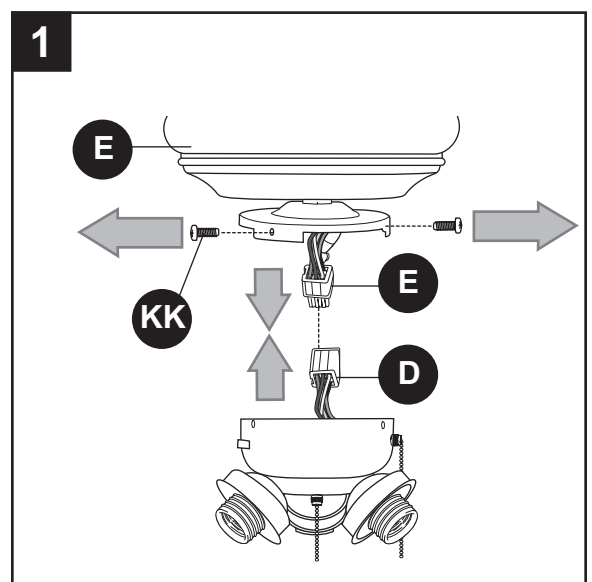
AA Motor Screw  x 10

LL Blade Isolator  x 5



LIGHT KIT INSTALLATION

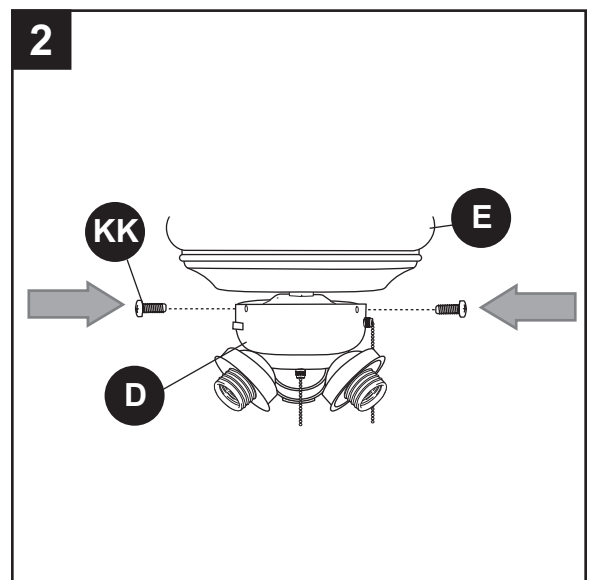
1. Remove the three plate screws (KK) located on the fitter plate portion of the motor assembly (E). Then connect the plug from the motor assembly (E) to the plug from the light kit fitter (D), matching the colors on each plug. Ensure that the plugs connect tightly.



Hardware Used

KK Plate Screw  x 3

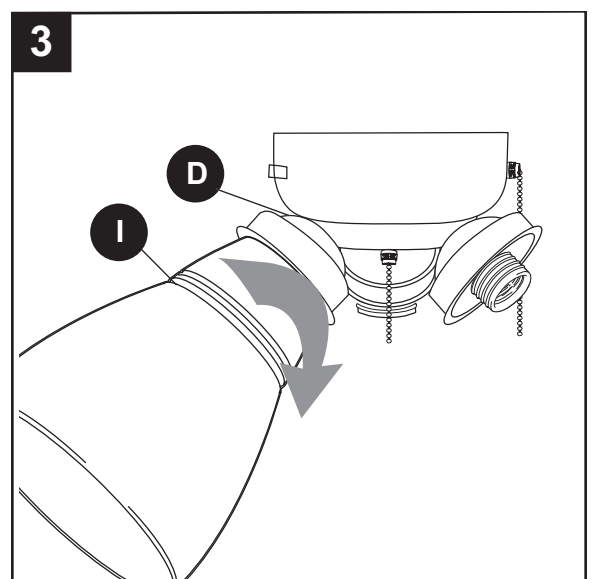
2. Align holes in the light kit fitter (D) with the holes in the motor assembly (E). Re-insert the plate screws (KK) and secure them with a Phillips screwdriver.



Hardware Used

KK Plate Screw  x 3

3. Screw the glass shades (I) into the sockets of the light kit fitter (D).



LIGHT KIT INSTALLATION

4. Install the bulbs (J).

Important: When you need to replace the bulbs, please allow the bulb (J) and light kit to cool down before touching the bulb (J) or the light kit.

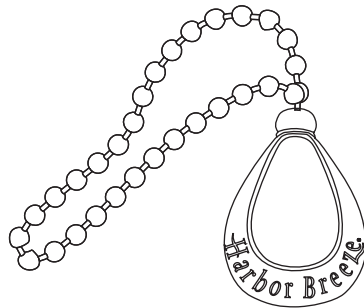
Note: This fan uses three 60-watt max. candelabra-base bulbs.

5. Attach the pull chain extensions (EE) or custom pull chains extensions (not included) to the fan and light pull chains.

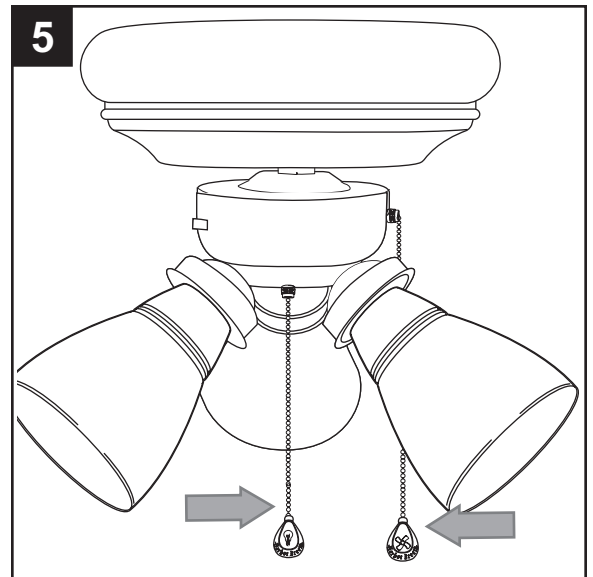
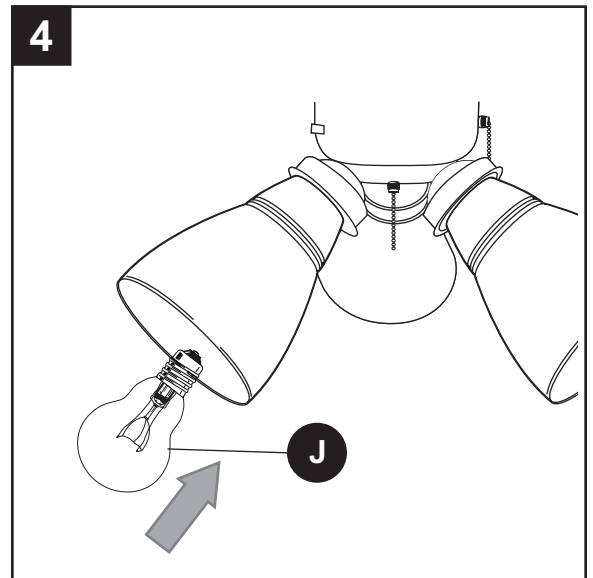
Hardware Used

EE

Pull Chain Extension

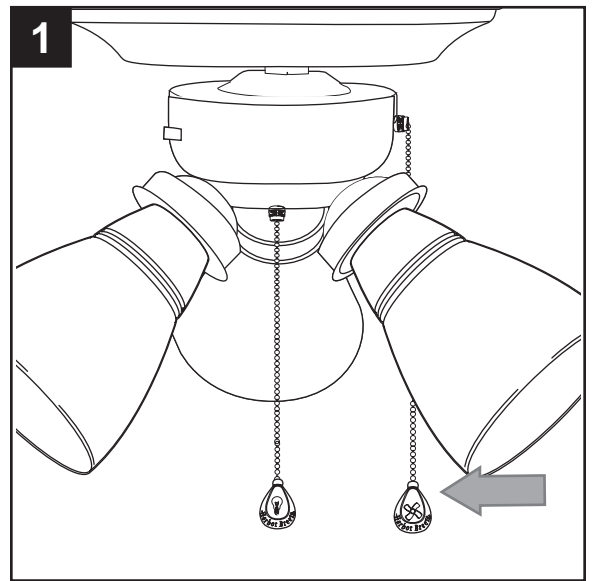


x 2

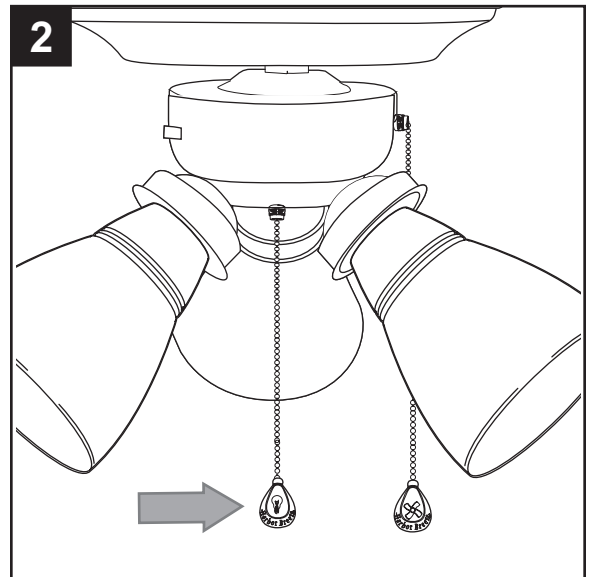


OPERATING INSTRUCTIONS

1. The pull chain labeled FAN has four positions to control fan speed. One pull is HIGH, two is MEDIUM, three is LOW, and four turns the fan OFF.



2. The pull chain labeled LIGHT is used to turn the lights ON or OFF.



OPERATING INSTRUCTIONS

- Use the fan reverse switch, located on the switch housing portion of the light kit fitter (D), to optimize your fan for seasonal performance.

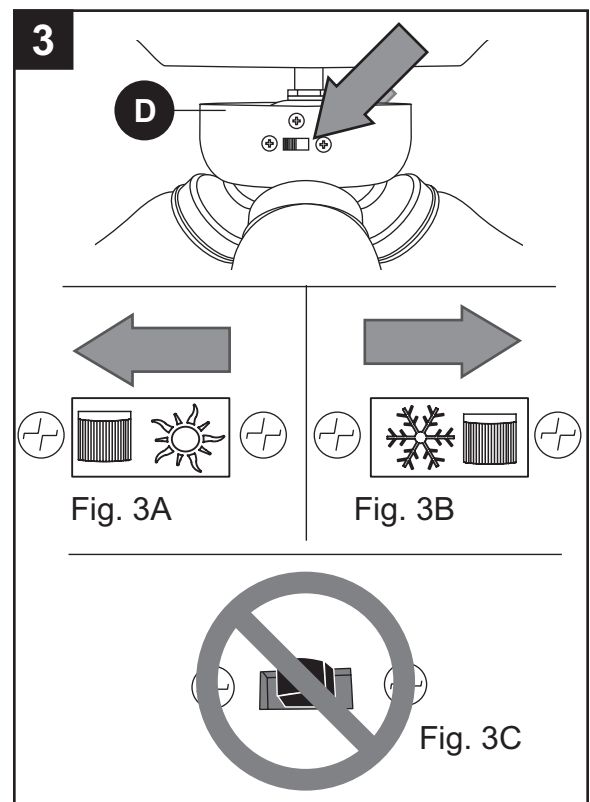
A ceiling fan will allow you to raise your thermostat setting in summer and lower your thermostat setting in winter without feeling a difference in your comfort.

Note: Wait for the fan to stop before moving the reverse switch.

3A. In warmer weather, push the reverse switch to the left to display a Sun icon, which will result in downward airflow creating a wind chill effect.

3B. In cooler weather, push the reverse switch to the right to display a snowflake, which will result in upward airflow that can help move stagnant, hot air off the ceiling area.

Important: The reverse switch must be set either completely to the right or to the left in order for the fan to function correctly. If the reverse switch is set in the middle position, the fan will not operate.



CARE AND MAINTENANCE

At least twice each year, lower the canopy to check the downrod assembly, and then tighten all screws on the fan. Clean the motor housing with only a soft brush or lint-free cloth to avoid scratching the finish. Clean the blades with a lint-free cloth. You may occasionally apply a light coat of furniture polish to wood blades for added protection.

Important: Shut off the main power supply before you begin any maintenance task. Do not use water or a damp cloth to clean the fan.



TROUBLESHOOTING

PROBLEM	POSSIBLE CAUSE	CORRECTIVE ACTION
The fan does not move.	<ol style="list-style-type: none"> 1. The reverse switch is not engaged. 2. The wall switch is turned off. 3. The power is off or the fuse (breaker) is blown. 4. There is a faulty wire connection. 	<ol style="list-style-type: none"> 1. Firmly push the reverse switch to either the left or right. 2. Make sure the wall switch is turned on. 3. Turn the power on or check the fuse (breaker). 4. Turn the power off and check all connections at the ceiling outlet box.
The fan is noisy.	<ol style="list-style-type: none"> 1. The blades are loose. 2. There is a cracked blade. 3. The wall control is not compatible with the fan. 4. The break-in period has not surpassed. 5. The outlet box is not secure. 6. The mounting bracket is not secure. 	<ol style="list-style-type: none"> 1. Check and tighten all screws that hold the fan blades to the blade arms and the motor. 2. Replace the cracked blade. 3. Do not use a full range dimmer switch to control the fan speed. 4. Run the fan continuously for 24 - 48 hours on medium or high speed for a "break in" period. 5. Ensure the outlet box is secured to the building structure. 6. Ensure the mounting bracket is secured to the outlet box and that the screws are tight.
There is excessive wobbling.	<ol style="list-style-type: none"> 1. The blades and/or blade are loose. 2. The blades are unbalanced. 3. The fan mounting is not secure. 4. The fan is too close to the vaulted ceiling. 5. The set screw on the motor housing yoke is loose. 	<ol style="list-style-type: none"> 1. Check and tighten all screws that hold the fan blades to the blade arms and the blade arms to the motor. 2. Switch one blade with a blade from the opposite side. Or balance the fan using a balancing kit (not supplied). 3. Turn off the power. Loosen the canopy and verify that the mounting bracket is secure to the electrical outlet box. The bracket must be flush without movement against the outlet box. 4. Use a longer downrod or move the fan to another location. 5. Lift up the yoke cover and tighten the set screw to the yoke until secure.



TROUBLESHOOTING

PROBLEM	POSSIBLE CAUSE	CORRECTIVE ACTION
The fan operates correctly, but the lights are not working (if applicable).	<ol style="list-style-type: none">1. The bulb(s) not installed correctly.2. The light kit wire plugs are not connected properly.3. There is a faulty wire connection.4. The total power of the light is exceeding 190 W.	<ol style="list-style-type: none">1. Re-install the bulb(s).2. Ensure that the male and female plugs in the light kit fitter are connected properly.3. Turn the power off and check all connections at the ceiling outlet box.4. The fan comes with a 190 W limiter. When the total watts of the lights is over 190 W, the lights do not work. Please replace the bulbs with lower-wattage bulbs.

LIFETIME LIMITED WARRANTY

The manufacturer warrants this fan to be free from defects in workmanship and materials present at time of shipment from the factory for a lifetime from the date of purchase by the original purchaser. The retailer also warrants that all other fan parts, excluding any glass or plexiglass blades, to be free from defects in workmanship and material at the time of shipment from the factory for a period of one year after the date of purchase by the original purchaser. The manufacturer agrees to correct such defects without charge or at its option replace the ceiling fan with a comparable or superior model.

To obtain warranty service, present a copy of the receipt as proof of purchase. All costs of removing and reinstalling the product are your responsibility. Any damage to any part such as by accident or misuse or improper installation or by affixing any accessories, is not covered by this warranty. The manufacturer assumes no responsibility whatsoever for fan installation during the limited lifetime warranty. Any service performed by an unauthorized person will render the warranty invalid.

Due to varying climate conditions, this warranty does not cover any changes in brass finish, including rusting, pitting, corroding, tarnishing or peeling. Brass finishes of this type give their longest useful life when protected from varying weather conditions. Any glass provided with this fan is not covered by the warranty.

Any replacement of defective parts for the ceiling fan must be reported within the first year from the date of purchase. For the balance of the warranty, call our customer service department for return authorization and shipping instructions so that we may repair or replace the ceiling fan. Any fan or parts returned improperly is the sole responsibility of the purchaser. There is no other expressed warranty. The manufacturer disclaims any and all warranties. The duration of any implied warranty which cannot be disclaimed is limited to the time period as specified in the expressed warranty. The manufacturer shall not be liable for incidental, consequential, or special damages arising out of or in connection with product use or performance except as may otherwise be accorded by law. This warranty gives specific legal rights, and you may also have other rights which vary from state to state.

This warranty supersedes all prior warranties.

Note: A small amount of “wobble” is normal and should not be considered a defect.



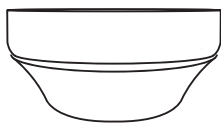
REPLACEMENT PARTS LIST

For replacement parts, call the customer service department at 1-800-643-0067, 8 a.m. - 6 p.m., EST, Monday - Thursday, 8 a.m. - 5 p.m., EST, Friday.

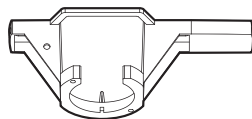
PART	DESCRIPTION	MODEL 40198 PART #	MODEL 40199 PART #
A	Downrod	179178-A	176493-A
B	Canopy	179178-B	176493-B
C	Mounting Bracket	179178-C	176493-C
D	Light Kit Fitter	179178-D	176493-D
F	Yoke Cover	179178-F	176493-F
G	Blade Arm	179178-G	176493-G
H	Blade	179178-H	176493-H
I	Glass Shade	179178-I	176493-I
K	Canopy Cover	179178-K	176493-K
LL	Hardware Kit	179178-LL	176493-LL



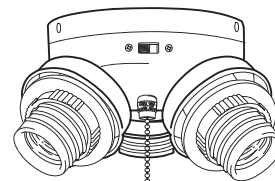
A



B



C



D



F



G



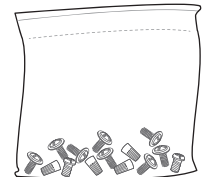
H



I



K



LL

Printed in China

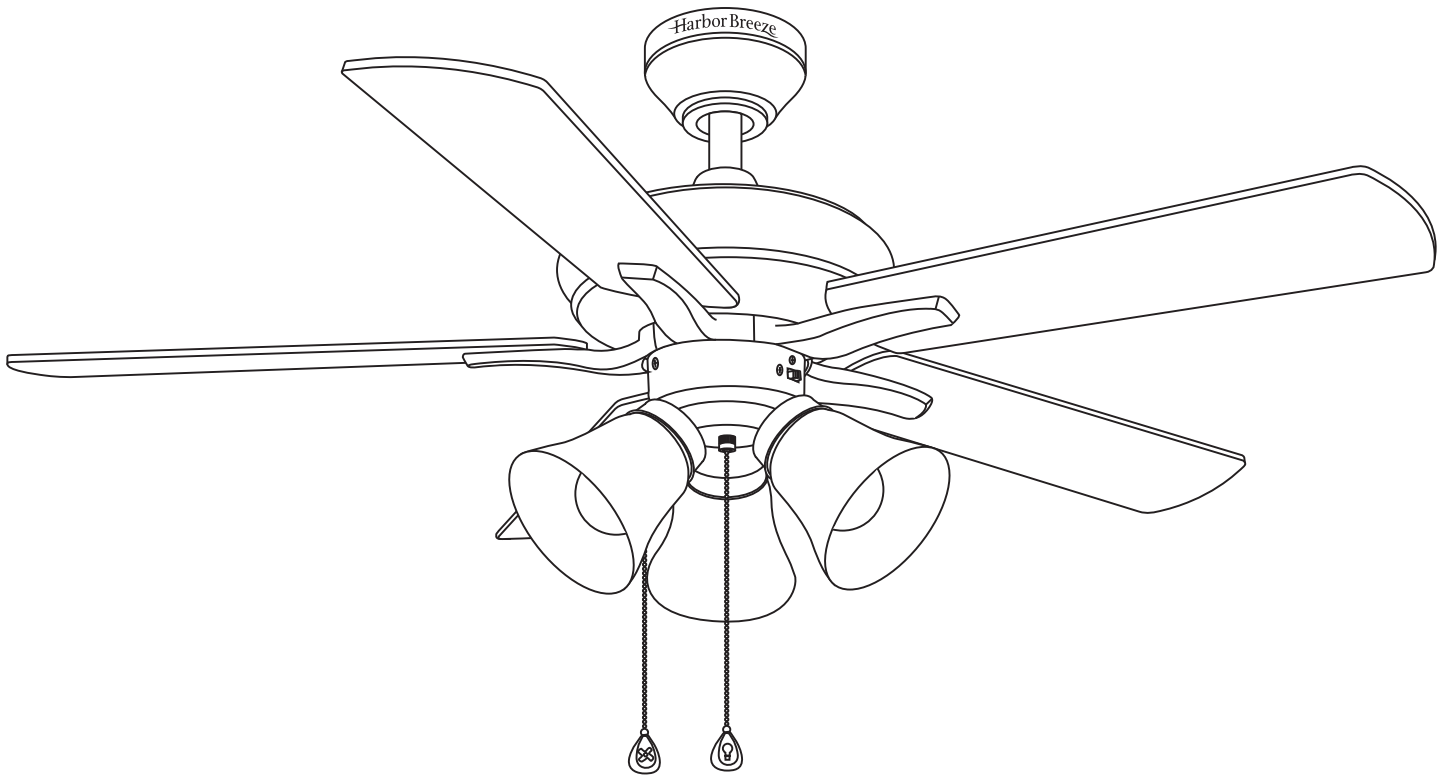
Harbor Breeze® is a registered trademark of LF, LLC.

All Rights Reserved.



ARTÍCULO #0179178, 0176493
**VENTILADOR DE
TECHO LANSING**
MODELO #40198, 40199

Harbor Breeze® es una marca registrada de LF, LLC.
Todos los derechos reservados.



ADJUNTE SU RECIBO AQUÍ

Número de serie _____ Fecha de compra _____



¿Preguntas, problemas, piezas faltantes? Antes de volver a la tienda, llame a nuestro Departamento de Servicio al Cliente al 1-800-643-0067, de lunes a jueves de 8 a.m. a 6 p.m., hora estándar del Este, y los viernes de 8 a.m. a 5 p.m., hora estándar del Este.



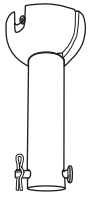
Lowes.com/harborbreeze

ÍNDICE

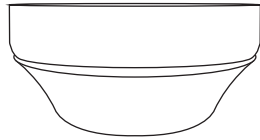
Contenido del paquete	28
Aditamentos.	29
Información de seguridad	30
Preparación	31
Instrucciones de ensamblaje	32
Instrucciones de montaje en ángulo y estándar	34
Instrucciones de montaje cerrado	37
Cableado	38
Instalación final	41
Instalación del kit de iluminación	43
Instrucciones de funcionamiento	45
Cuidado y mantenimiento	47
Solución de problemas	48
Garantía limitada de por vida	49
Lista de piezas de repuesto.	50



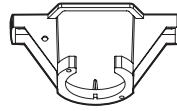
CONTENIDO DEL PAQUETE



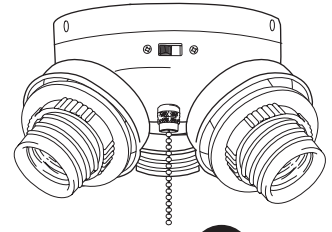
A



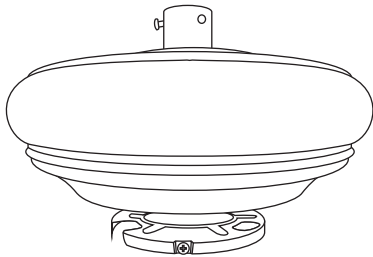
B



C



D



E



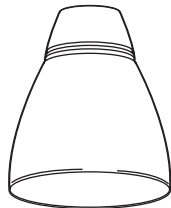
F



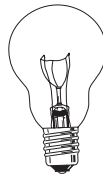
G



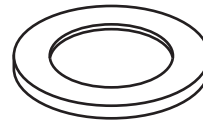
H



I



J

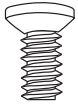


K

PIEZA	DESCRIPCIÓN	CANTIDAD
A	Varilla	1
B	Base	1
C	Abrazadera de montaje	1
D	Soporte del kit de iluminación	1
E	Ensamblaje del motor	1
F	Cubierta de la horquilla	1
G	Brazo del aspa	5
H	Aspa	5
I	Pantalla de vidrio giratoria	3
J	Bombilla	3
K	Cubierta de la base ((preensamblada en la base (B))	1

ADITAMENTOS

AA



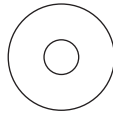
Tornillo del motor (preensablado en el ensamblaje del motor [E])
Cant. 10 y 1 adicional

BB



Tornillo del aspa
Cant. 15 y 1 adicional

CC



Arandela del aspa
Cant. 15 y 1 adicional

DD



Conector de cables
Cant. 4

EE



Extensión para la cadena de tiro
Cant. 2

FF



Pasador de la varilla (preensablado en la varilla [A])
Cant. 1

GG



Sujetador de la varilla (preensablado en la varilla [A])
Cant. 1

HH



Tornillo de ajuste de la carcasa del motor (preensablado en el ensamblaje del motor [E])
Cant. 2

II



Tornillo de montaje cerrado (preensablado en el ensamblaje del motor [E])
Cant. 3 y 1 adicional

JJ



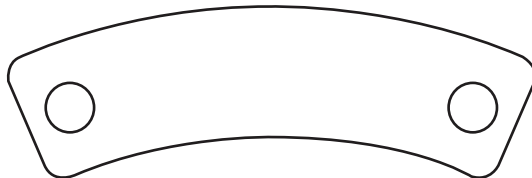
Tornillo de la abrazadera de montaje (preensablado en la abrazadera de montaje [C])
Cant. 4

KK



Tornillo de la placa (preensablado en el ensamblaje del motor [E])
Cant. 3

LL



Aislador de aspa
Cant. 5



INFORMACIÓN DE SEGURIDAD

Lea y comprenda completamente este manual antes de intentar ensamblar, usar o instalar el producto.

- Antes de comenzar a instalar el ventilador, desconecte el suministro de electricidad; para esto retire los fusibles o coloque los interruptores de circuito en la posición de apagado.
- Asegúrese de que todas las conexiones eléctricas cumplan con los códigos y ordenanzas locales, el National Electrical Code (Código Nacional de Electricidad) y la norma ANSI/NFPA 70-199. Si no está familiarizado con la instalación del cableado eléctrico, contrate a un electricista calificado o consulte un manual de cableado para hacerlo usted mismo.
- Asegúrese de que en el lugar de instalación que elija se pueda establecer una distancia mínima de 2,13 m desde las aspas hasta el piso, y al menos 76,20 cm desde los extremos de las aspas hasta cualquier obstáculo.
- El peso neto de este ventilador es: 6,35 kg.



PELIGRO: si utiliza una caja de salida existente, asegúrese de que esté bien sujeta a la estructura del edificio y que pueda sostener el peso completo del ventilador. El incumplimiento de dicho paso podría provocar lesiones graves o la muerte. La estabilidad de la caja de salida es fundamental para minimizar el tambaleo y el ruido en el ventilador una vez que la instalación esté completa.



ADVERTENCIA: para evitar lesiones personales, puede ser necesario usar guantes al manipular las piezas del ventilador con bordes filosos.



ADVERTENCIA: el uso de un regulador de intensidad de rango completo para controlar la velocidad del ventilador provocará un zumbido intenso del ventilador. Para reducir el riesgo de incendios o descargas eléctricas, NO use un regulador de intensidad de rango completo para controlar la velocidad del ventilador.



ADVERTENCIA: para reducir el riesgo de incendios, descargas eléctricas o lesiones personales, instale el ventilador en una caja de salida marcada como "ACCEPTABLE FOR FAN SUPPORT" (APTA PARA SOSTENER UN VENTILADOR) y utilice los tornillos de montaje incluidos en la caja de salida. La mayoría de las cajas de salida que se usan comúnmente para sostener las lámparas no son aptas para sostener un ventilador y puede ser necesario reemplazarlas. Si tiene dudas, consulte a un electricista calificado. Asegure la caja de salida directamente a la estructura del edificio. La caja de salida y su soporte deben ser capaces de sostener el peso del ventilador en movimiento (al menos 15,88 kg). NO use una caja de salida de plástico.



ADVERTENCIA: para reducir el riesgo de incendios, descargas eléctricas o lesiones personales, los conectores de cables proporcionados con este ventilador están diseñados para soportar solo un cable de la casa de calibre 12 y dos cables conductores del ventilador. Si el cable de la casa es de un calibre superior a 12 o hay más de un cable de la casa para conectar los dos cables conductores del ventilador, pregúntele a un electricista cuál es el tamaño adecuado de los conectores de cables que debe utilizar.



ADVERTENCIA: para reducir el riesgo de incendios o descargas eléctricas, no use el ventilador con dispositivos de control de velocidad para estado sólido ni controle la velocidad del ventilador con un regulador de intensidad de rango completo.



ADVERTENCIA: para reducir el riesgo de incendios, descargas eléctricas o lesiones personales, no doble los brazos de las aspas al instalarlas, al equilibrarlas o al limpiar el ventilador. No introduzca objetos entre las aspas en movimiento.



ADVERTENCIA: para reducir el riesgo de lesiones personales, use solo las piezas que se incluyen con este ventilador. El uso de piezas DISTINTAS a aquellas que se incluyen con este ventilador anulará la garantía.



INFORMACIÓN DE SEGURIDAD

PRECAUCIÓN: lea todas las instrucciones y la información de seguridad antes de instalar el nuevo ventilador. Revise los diagramas de ensamblaje adjuntos.

PRECAUCIÓN: asegúrese de que la caja de salida cuente con la puesta a tierra adecuada o de que haya un cable (verde o desnudo) de tierra.

PRECAUCIÓN: revise cuidadosamente todos los tornillos, pernos y tuercas del ensamblaje del motor del ventilador para comprobar que estén seguros.

PREPARACIÓN

Antes de comenzar a ensamblar este producto, asegúrese de tener todas las piezas. Compare todas las piezas con la lista del contenido del paquete y con la lista de aditamentos. No intente ensamblar el producto si falta alguna pieza o si estas están dañadas.

Después de abrir la parte superior de la caja, retire el paquete de aditamentos de montaje de los accesorios de espuma. Luego, quite el motor del envase y colóquelo en una superficie suave, como una alfombra, para evitar dañar el acabado.

Tiempo estimado de ensamblaje: 90 minutos

Herramientas necesarias para el ensamblaje (no se incluyen): cinta aislante, destornillador Phillips, pinzas, gafas de seguridad, escalera de tijera y pinzas pelacables

Herramientas útiles (no se incluyen): luz de prueba de CA, cinta métrica, manual de cableado y pinzas cortacables



INSTRUCCIONES DE ENSAMBLAJE

1. Desconecte los interruptores de circuito y el interruptor de pared para interrumpir el suministro de electricidad a los conductores de la línea de suministro del ventilador.

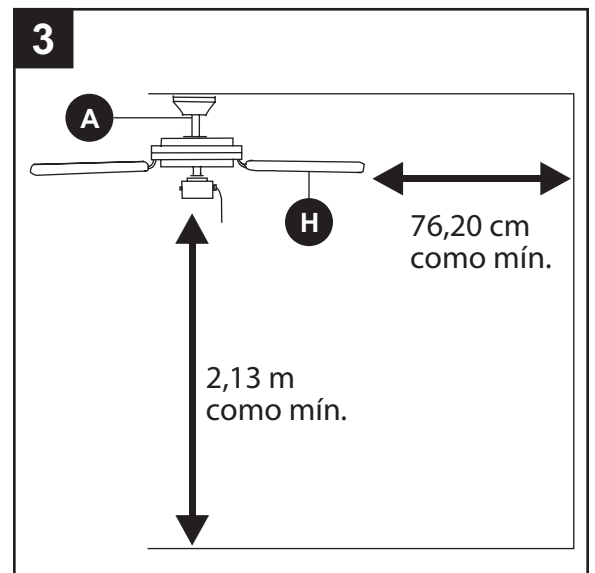
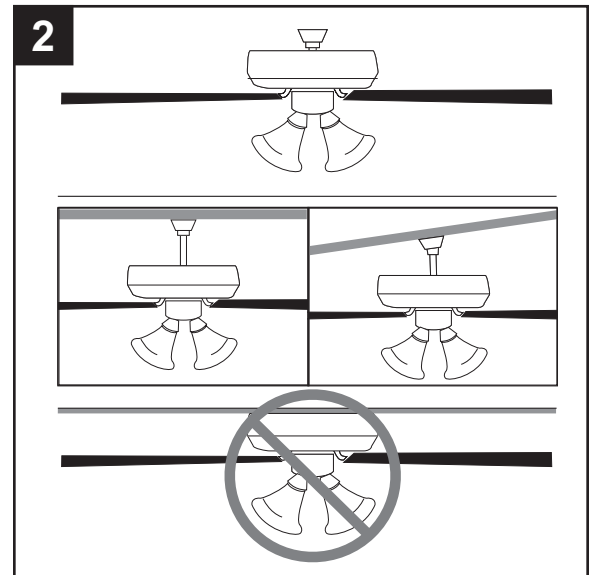
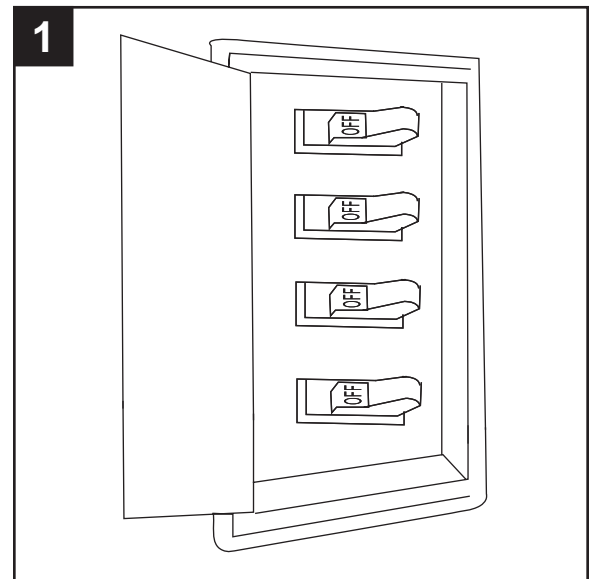
! **PELIGRO:** si no interrumpe el suministro de electricidad antes de la instalación, pueden producirse lesiones graves o la muerte.

2. Determine los métodos de instalación que utilizará.

Nota: La instalación de montaje al ras no está disponible para este artículo.

Importante: Si realiza el montaje en ángulo, verifique que el ángulo del techo no tenga una inclinación superior a los 20°.

3. Asegúrese de que las aspas (H) estén al menos a 76,20 cm de toda obstrucción. También verifique el largo de la varilla (A) para asegurarse de que las aspas (H) estén al menos a 2,13 m por encima del piso.



INSTRUCCIONES DE ENSAMBLAJE

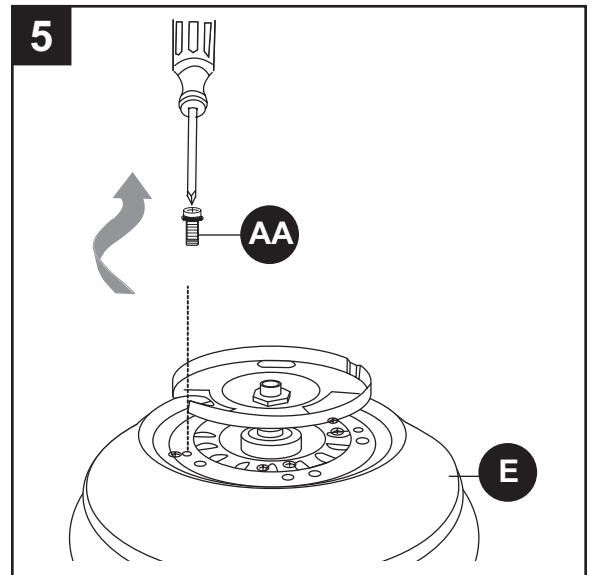
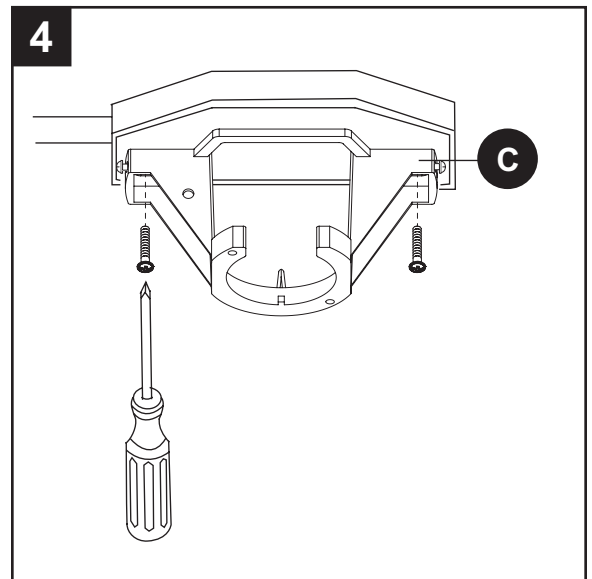
4. Asegure la abrazadera de montaje (C) a la caja de salida con los tornillos, las arandelas de resorte y las arandelas planas que se proporcionan con la caja de salida (no se incluye).

Nota: Es muy importante que use los aditamentos adecuados para instalar la abrazadera de montaje (C), ya que esta soportará el ventilador.

Importante: Si realiza el montaje en ángulo, asegúrese de que el extremo abierto de la abrazadera de montaje (C) esté instalado en dirección hacia el punto más alto del techo.

5. Retire los tornillos del motor (AA) de la parte inferior del ensamblaje del motor (E).

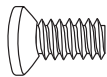
Nota: Si hay topes plásticos del motor instalados con los tornillos del motor (AA), deséchelos pero mantenga los tornillos.



Aditamentos utilizados

AA

Tornillo
del motor

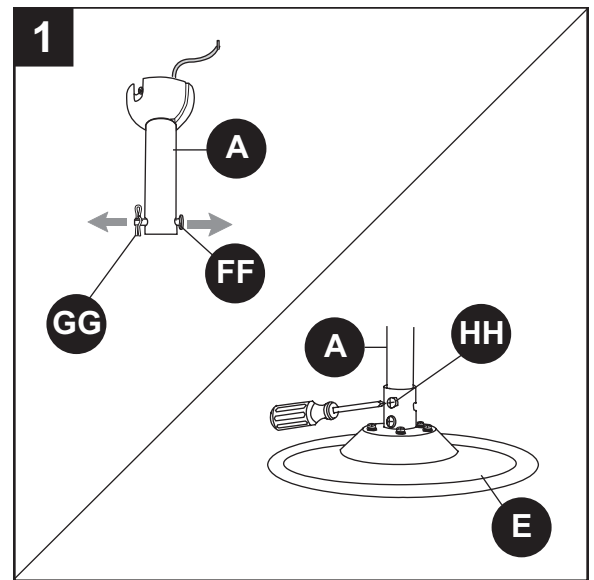


x 10



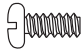
INSTRUCCIONES DE MONTAJE EN ÁNGULO Y ESTÁNDAR

1. Retire el pasador de la varilla (FF) y el sujetador de la varilla (GG) de la varilla de (A). Luego afloje parcialmente los tornillos de ajuste de la carcasa del motor (HH) que se encuentran en la horquilla de la parte superior del ensamblaje del motor (E).

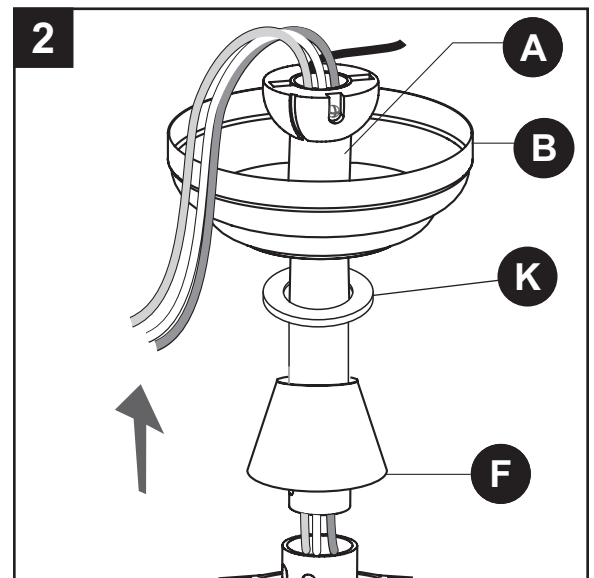
Sugerencia útil: el montaje de varilla es más apropiado para los techos de 2,44 m de alto o de mayor altura. Para techos más altos, se recomienda utilizar una varilla más larga (no incluida). El montaje en ángulo es mejor para los techos en ángulo o de bóveda. En ocasiones, es necesaria una varilla más larga para asegurar una adecuada separación de las aspas.



Aditamentos utilizados

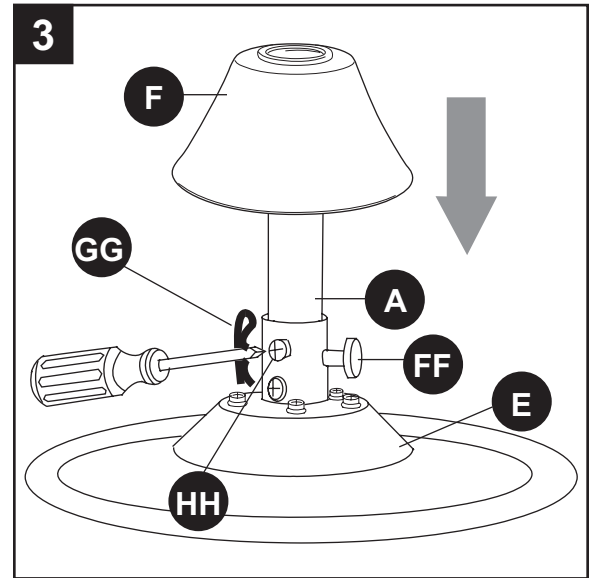
- FF** Pasador de la varilla  x 1
- GG** Sujetador de la varilla  x 1
- HH** Tornillo de ajuste de la carcasa del motor  x 2

2. Inserte la varilla (A) a través de la base (B), la cubierta de la base (K) y la cubierta de la horquilla (F). Enrosque los cables desde la carcasa del motor (E) a través de la varilla (A).






INSTRUCCIONES DE MONTAJE EN ÁNGULO Y ESTÁNDAR

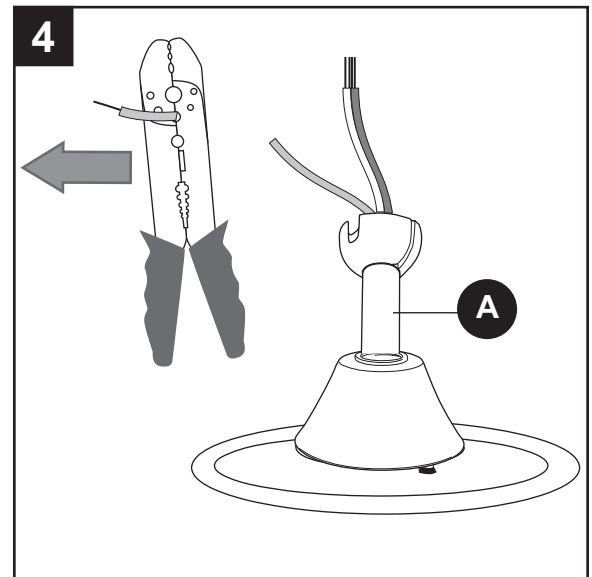
3. Deslice la varilla (A) por la horquilla del ensamblaje del motor (E), alinee los orificios y vuelva a instalar el sujetador (GG) y el pasador (FF) de la varilla. Luego vuelva a apretar los tornillos de ajuste de la carcasa del motor (HH) y deslice la cobertura de la horquilla (F) hacia abajo hasta que quede sobre el ensamblaje del motor (E).



Aditamentos utilizados

- FF** Pasador de la varilla  x 1
- GG** Sujetador de la varilla  x 1
- HH** Tornillo de ajuste de la carcasa del motor  x 2

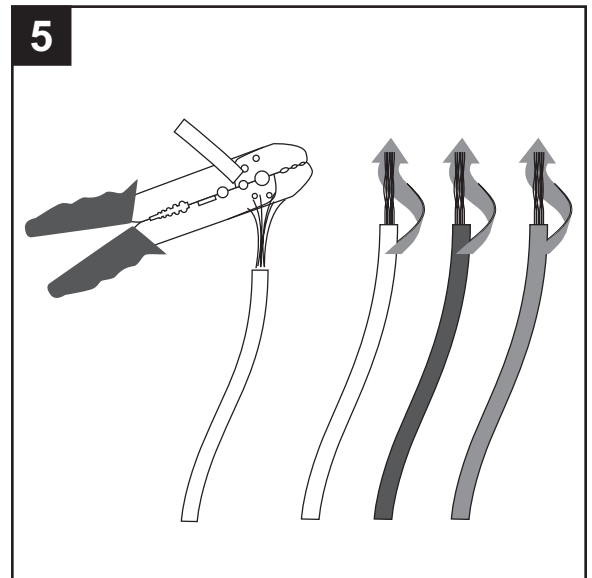
4. Según el largo de la varilla (A) que utilice, es posible que necesite cortar los cables conductores para simplificar el cableado. Si decide cortar los cables conductores, se sugiere hacerlo de la siguiente manera: tome los cables conductores y asegúrese de jalarlos completamente a través de la parte superior de la varilla (A), mida 20,32 cm de cable conductor y corte el exceso de cable con las pinzas cortacables.



INSTRUCCIONES DE MONTAJE EN ÁNGULO Y ESTÁNDAR

- Si decidió cortar el cable conductor en el paso 4, pele 1,27 cm del aislamiento del extremo del cable blanco. Tuerza los extremos pelados de cada filamento de cable dentro del aislamiento con pinzas. Repita este paso para los cables negro, azul (si corresponde) y verde.

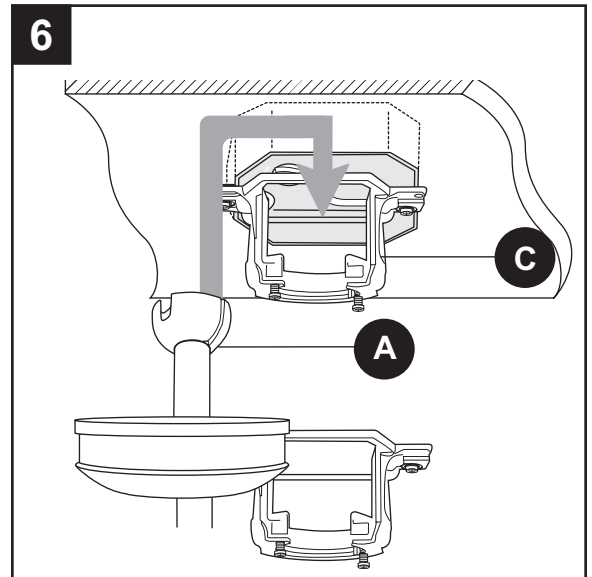
Importante: Si no cortó los cables conductores en el paso 4, el paso 5 no es necesario y puede continuar con el paso 6 en su lugar.



- Instale el extremo con la bola de la varilla (A) en la abertura de la abrazadera de montaje (C). Alinee la ranura de la bola con la lengüeta de la abrazadera de montaje (C). La varilla no debe girar si esto se hace correctamente.

! PELIGRO: si no alinea la ranura de la bola con la lengüeta, pueden producirse lesiones graves o la muerte.

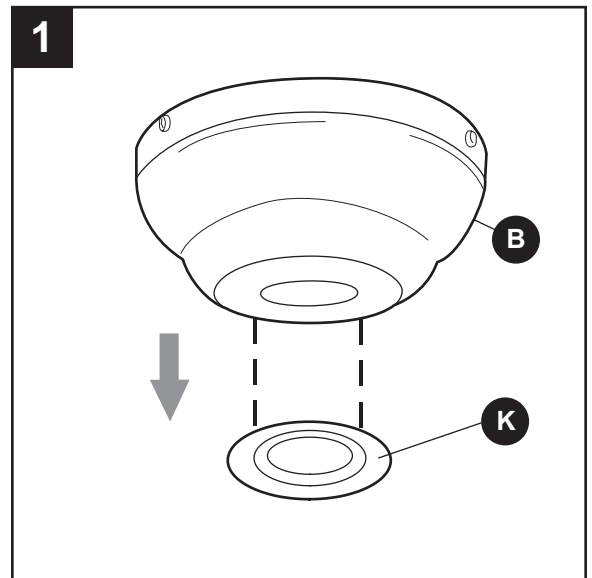
Continúe con la sección "Cableado" de este manual.



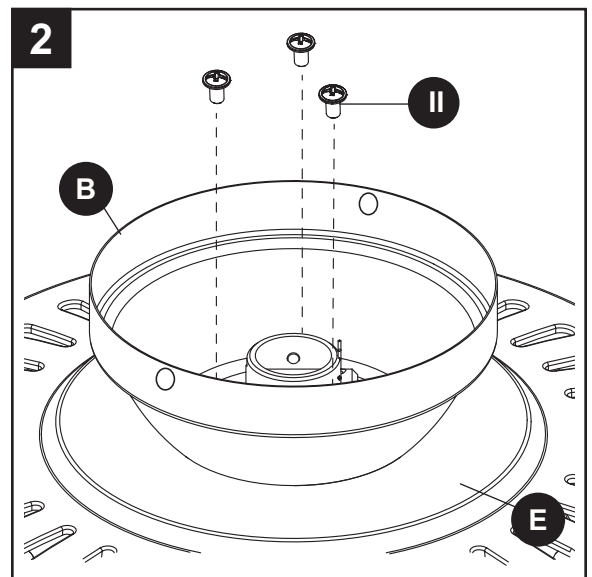
INSTRUCCIONES DE MONTAJE CERRADO

1. Retire la cubierta de la base (K) de la parte inferior de la base (B).

Consejo útil: El estilo de montaje cerrado es más adecuado para los techos de menos de 2,44 m (8 pies) de alto. La varilla, la bola para colgar y la cubierta de la base no se utilizan en este tipo de instalación.

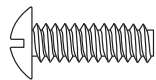


2. Alinee la base (B) con los orificios de la parte superior del ensamblaje del motor (E). Fije la base (B) a la parte superior del ensamblaje del motor (E) con los tornillos de montaje cerrado (II).



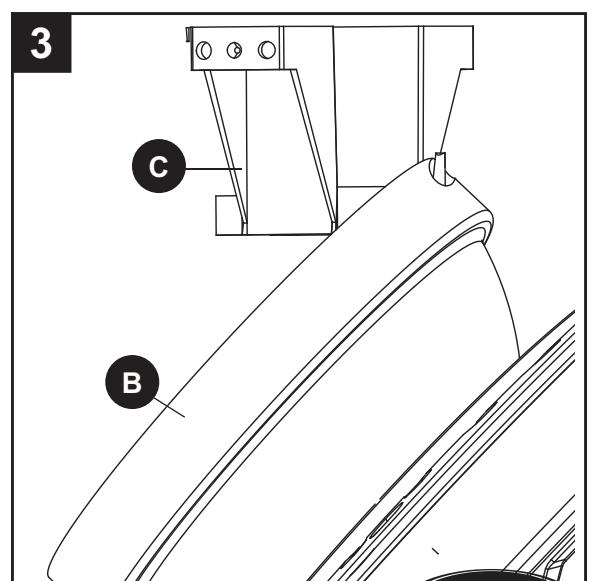
Aditamentos utilizados

- II Tornillo de montaje cerrado x 3



3. Levante el ventilador y coloque la base (B) en el gancho de la abrazadera de montaje (C) para el cableado.

Continúe con la sección "Cableado" de este manual.



CABLEADO

⚠️ ADVERTENCIA: para reducir el riesgo de incendios, descargas eléctricas o lesiones personales, los conectores de cables proporcionados con este ventilador están diseñados para soportar solo un cable de la casa de calibre 12 y dos cables conductores del ventilador. Si el cable de la casa es de un calibre superior a 12 o hay más de un cable de la casa para conectar los dos cables conductores del ventilador, pregúntele a un electricista cuál es el tamaño adecuado de los conectores de cables que debe utilizar.

⚠️ ADVERTENCIA: si los colores de los cables de la casa no coinciden con los colores que se mencionan en el siguiente paso, deténgase de inmediato. Se recomienda que un electricista profesional determine el esquema de cableado adecuado.

PRECAUCIÓN: asegúrese de que la caja de salida cuente con la puesta a tierra adecuada o de que haya un cable (verde o desnudo) de tierra.

De las tres opciones que se mencionan más abajo, escoja el diagrama de cableado que se ajuste a su situación y realice las conexiones del cableado adecuadas como se indica a continuación:

1A. VENTILADOR Y LUZ CONTROLADOS POR CADENAS DE TIRO: conecte los cables negro y azul del ventilador al cable negro del techo. Conecte el cable blanco del ventilador al cable blanco del techo. Conecte todos los cables de tierra (verdes) juntos desde el ventilador al cable desnudo o verde del techo. Asegure todas las conexiones del cableado junto con los conectores de cables (DD).

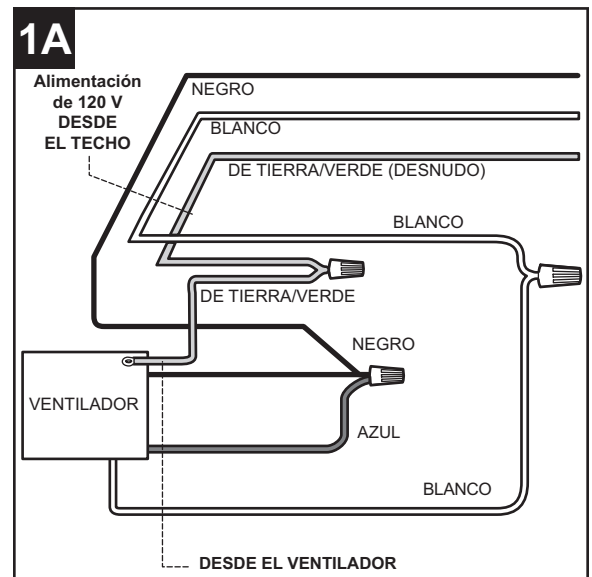
Aditamentos utilizados



Conector de cables

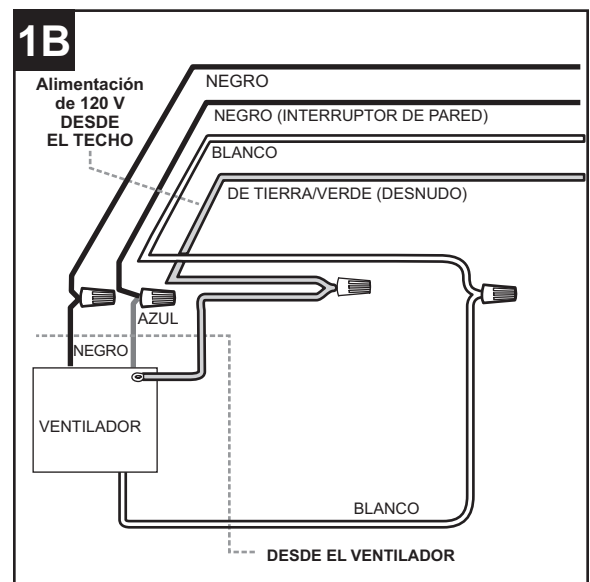


x 4

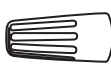


CABLEADO

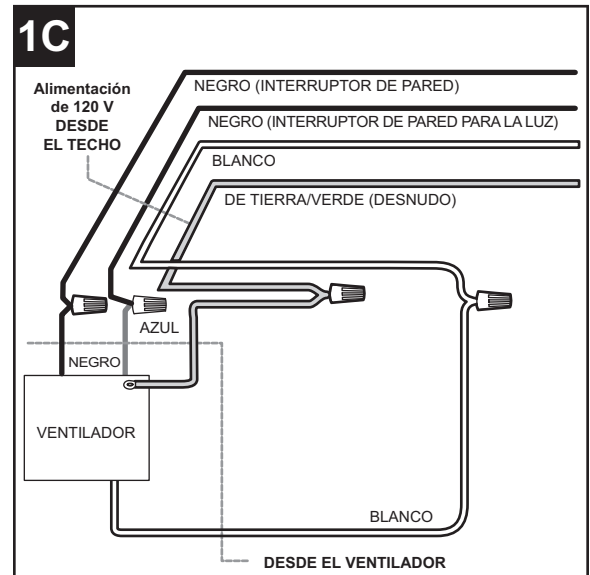
1B. VENTILADOR CONTROLADO POR CADENA DE TIRO Y LUZ CONTROLADA POR INTERRUPTOR DE PARED: para controlar el ventilador mediante cadenas de tiro y la luz con un interruptor de pared separado, conecte el cable negro del ventilador con el cable negro del techo. Conecte el cable azul del ventilador al cable negro del interruptor de pared para la luz. Conecte el cable blanco del ventilador al cable blanco del techo. Conecte todos los cables de tierra (verdes) juntos desde el ventilador al cable desnudo o verde del techo. Asegure todas las conexiones del cableado junto con los conectores de cables (DD).



Aditamentos utilizados

DD Conector de cables  x 4

1C. VENTILADOR Y LUZ CONTROLADOS POR DOS INTERRUPTORES DE PARED: para controlar el ventilador y la luz con interruptores de pared separados, conecte el cable negro del ventilador al cable negro del interruptor de pared para el ventilador. Conecte el cable azul del ventilador al cable negro del interruptor de pared para la luz. Conecte el cable blanco del ventilador al cable blanco del techo. Conecte todos los cables de tierra (verdes) juntos desde el ventilador al cable desnudo o verde del techo. Asegure todas las conexiones del cableado junto con los conectores de cables (DD).



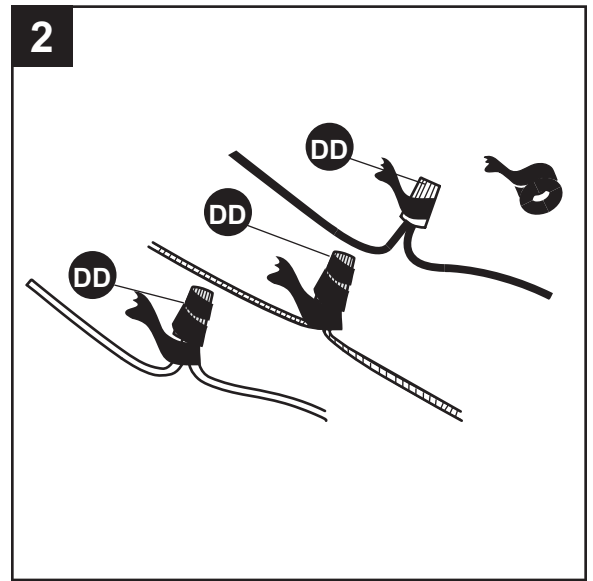
Nota: El cable negro le proporciona energía al ventilador. El cable azul le proporciona energía al kit de iluminación. El cable blanco es el cable común para el ventilador y el kit de iluminación. El cable verde (desnudo) es de tierra.

Aditamentos utilizados

DD Conector de cables  x 4

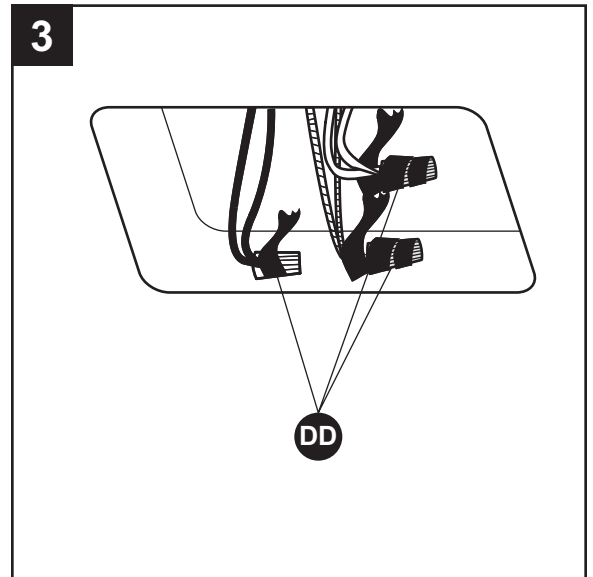
CABLEADO

2. Cubra con cinta aislante (no se incluye) cada conector de cables individual (DD) hacia abajo del cable.



3. Gire los cables empalmados o cubiertos con cinta hacia arriba y empuje suavemente los cables y los conectores de cables (DD) hacia dentro de la caja de salida.

! **ADVERTENCIA:** asegúrese de que no haya conductores desnudos ni filamentos de cables visibles después de realizar las conexiones. Coloque las conexiones de cables verde y blanco en el lado opuesto de la caja de salida con respecto a las conexiones de cables negro y azul (si corresponde).

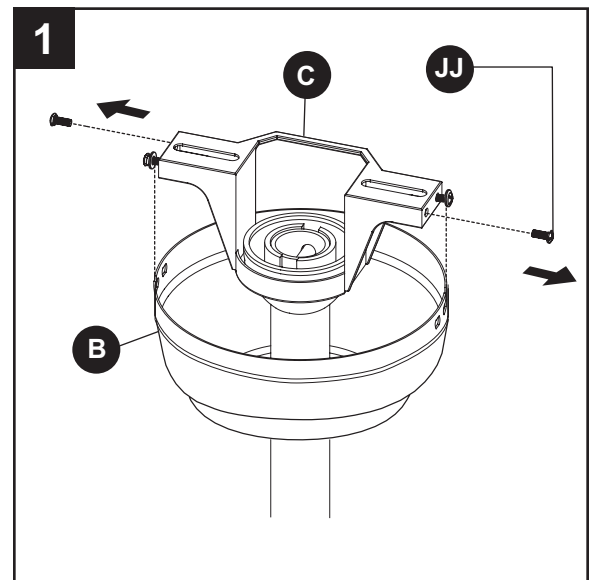


INSTALACIÓN FINAL

1. Retire los dos tornillos del soporte de montaje (JJ) del soporte de montaje (C) y afloje los otros dos tornillos aproximadamente 6,35 mm. Luego, alinee la base (B) hasta el techo sobre los tornillos sueltos del soporte de montaje (JJ). Coloque las ranuras con forma de cerradura de la base (B) en los tornillos del soporte de montaje (JJ) y gírelos en dirección de las manecillas del reloj.

Aditamentos utilizados

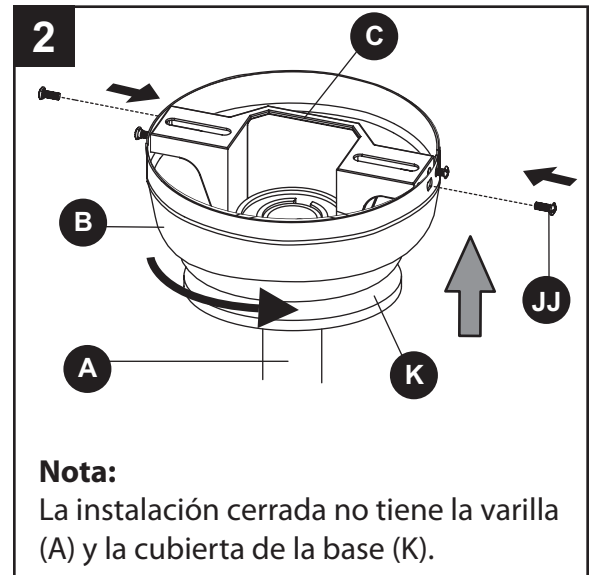
JJ	Tornillo de la abrazadera de montaje		x 4
-----------	--------------------------------------	---	-----



2. Asegure la base (B) con los tornillos del soporte de montaje (JJ) que retiró anteriormente y apriete firmemente los cuatro tornillos del soporte de montaje (JJ). Presione la cubierta de la base (K) hacia arriba hacia el fondo de la base (B) hasta que se bloquee.

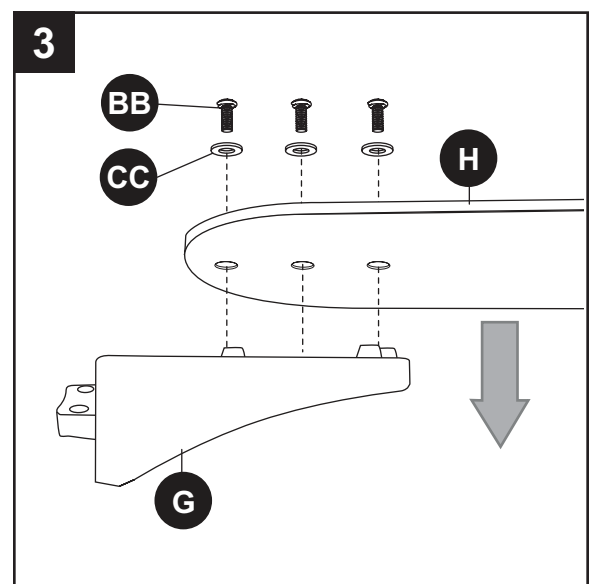
Aditamentos utilizados

JJ	Tornillo de la abrazadera de montaje		x 4
-----------	--------------------------------------	---	-----



INSTALACIÓN FINAL

3. Inserte parcialmente tres tornillos de las aspas (BB), junto con tres arandelas de las aspas (CC) a través de un aspa (H) y en un brazo de las aspas (G). Apriete cada tornillo del aspa (BB) con un destornillador Phillips, comenzando por el que está en el medio. Repita este paso para las aspas (H) y los brazos del aspa (G) restantes.

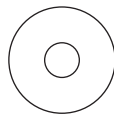


Aditamentos utilizados

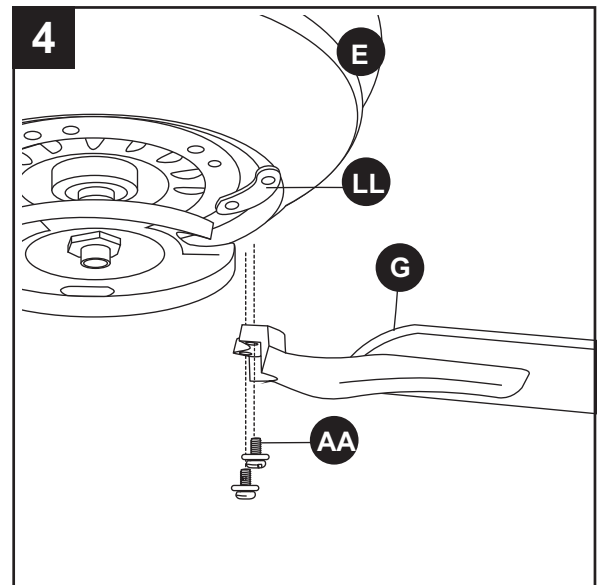
BB Tornillo del aspa x 15



CC Arandela del aspa x 15

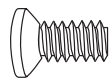


4. Alinee el brazo del aspa (G) y el aislador de aspa (II) con dos orificios debajo del motor (D) e inserte dos de los tornillos del motor previamente retirados (EE) a través del brazo del aspa (G) y en el motor (D). Apriete firmemente los tornillos. Repita este procedimiento con los brazos de aspa restantes (G).

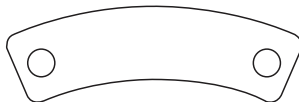


Aditamentos utilizados

AA Tornillo del motor x 10

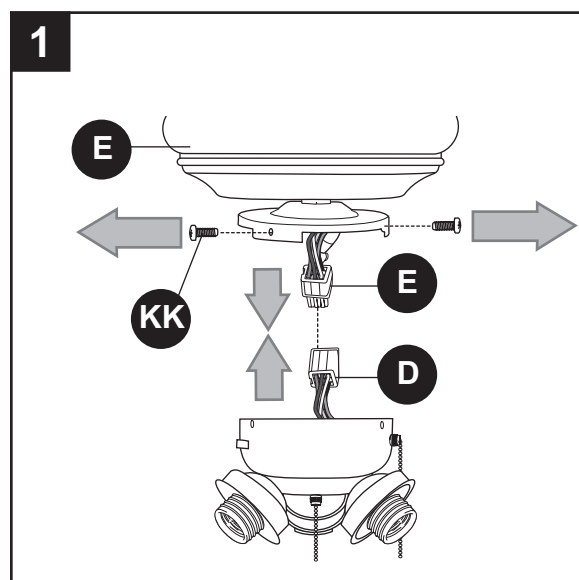


LL Aislador de aspa x 5



INSTALACIÓN DEL KIT DE ILUMINACIÓN

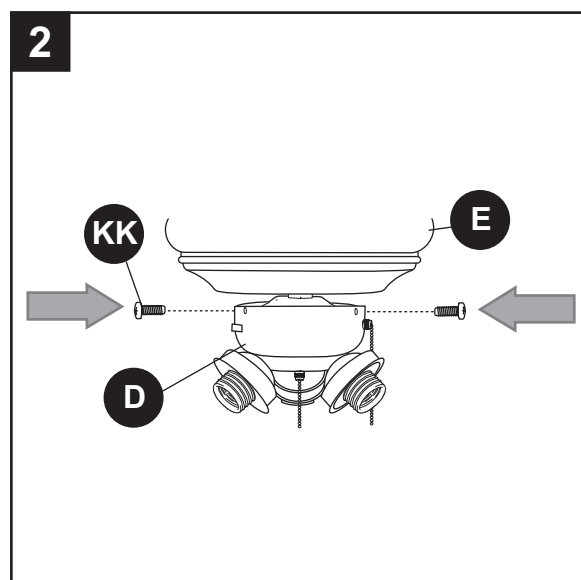
1. Quite los tres tornillos de la placa (KK) ubicada en la porción de la placa de soporte del ensamblaje del motor (E). Luego, conecte el enchufe del ensamblaje del motor (E) al enchufe del soporte del kit de iluminación (D), haciendo coincidir los colores de ambos enchufes. Asegúrese de que los enchufes estén firmemente conectados.



Aditamentos utilizados

- KK** Tornillo de la placa  x 3

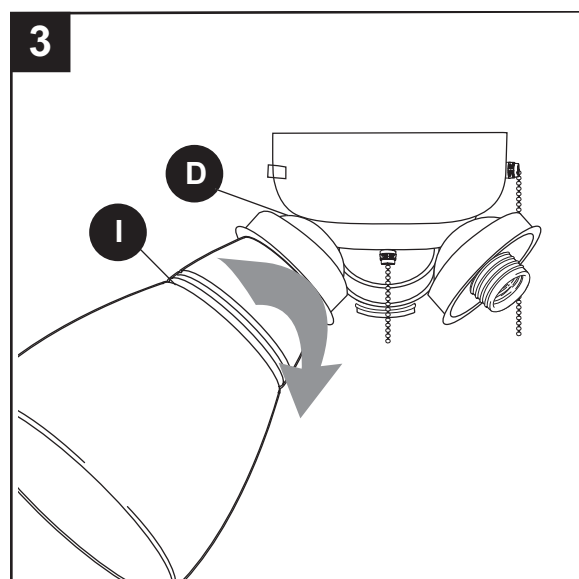
2. Alinee los orificios del soporte del kit de iluminación (D) con los orificios del ensamblaje del motor (E). Vuelva a colocar los tornillos de la placa (KK) y asegúrelos con un destornillador Phillips.



Aditamentos utilizados

- KK** Tornillo de la placa  x 3

3. Enrosque las pantallas de vidrio giratorias (I) en los portalámparas del soporte del kit de iluminación (D).

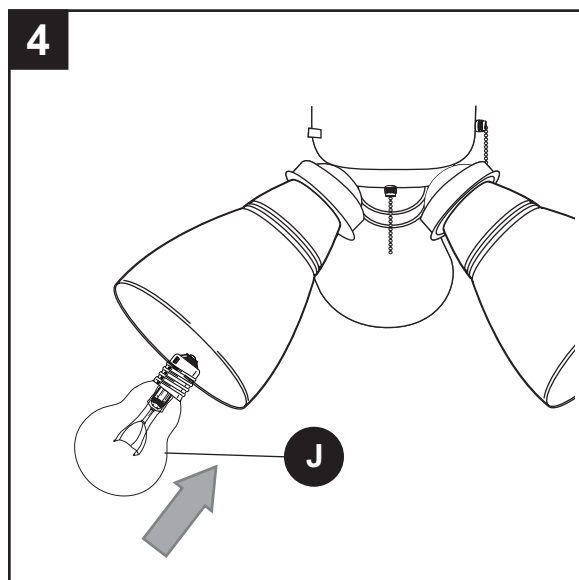


INSTALACIÓN DEL KIT DE ILUMINACIÓN

4. Instale las bombillas (J).

Importante: Cuando necesite reemplazar las bombillas, deje que pase un tiempo para que la bombilla (J) y el kit de iluminación se enfríen antes de tocar la bombilla (J) o el kit de iluminación.

Nota: Este ventilador usa tres bombillas de base candelabro de 60 vatios como máximo.



5. Conecte las extensiones para la cadena de tiro (EE) o las extensiones para las cadenas de tiro personalizadas (no incluidas) con las cadenas de tiro del ventilador y la luz.

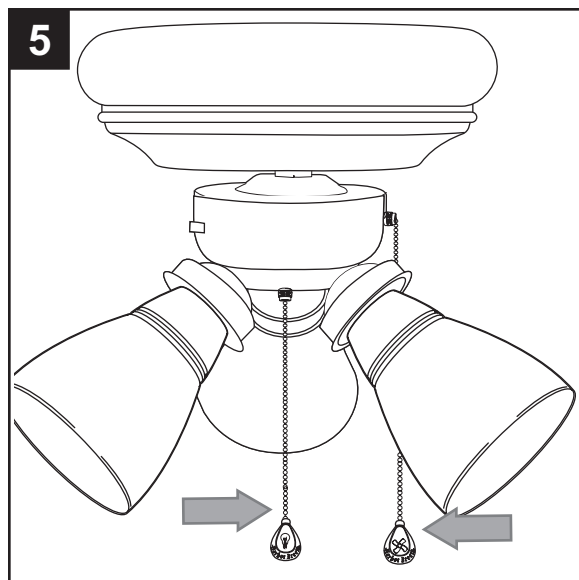
Aditamentos utilizados

EE

Extensión para la cadena de tiro

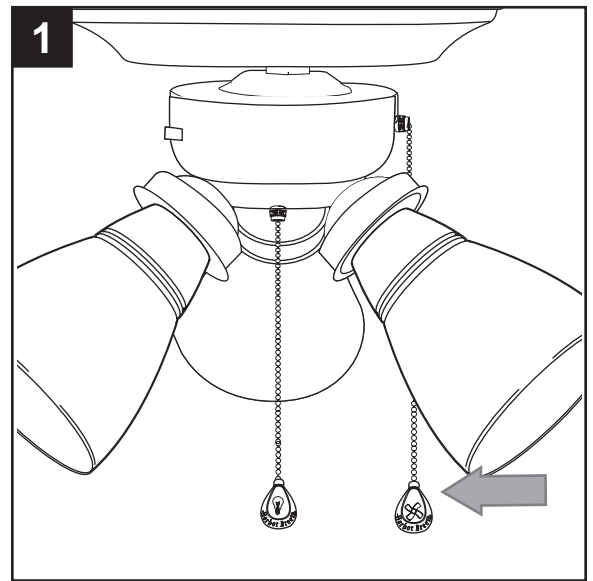


x 2

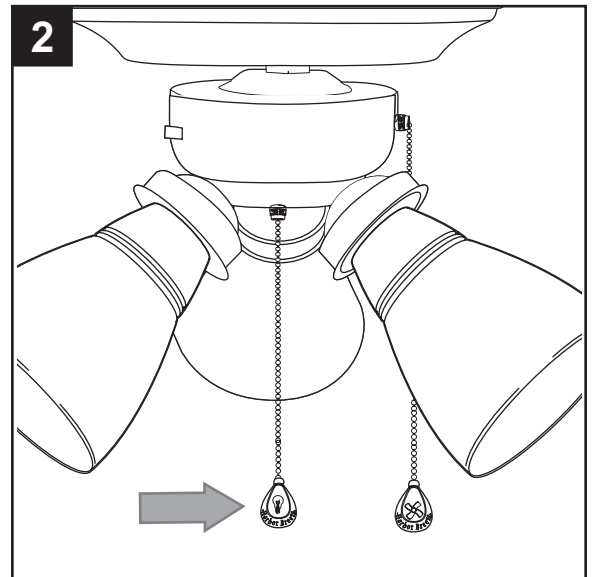


INSTRUCCIONES DE FUNCIONAMIENTO

1. La cadena de tiro marcada como "FAN" (VENTILADOR) tiene cuatro posiciones para controlar la velocidad del ventilador. Jale una vez para la posición HIGH (ALTA); dos para la posición MEDIUM (MEDIA); tres para la posición LOW (BAJA); y cuatro para la posición OFF (APAGADO).



2. La cadena de tiro marcada como "LIGHT" (LUZ) se utiliza para ENCENDER o APAGAR las luces.



INSTRUCCIONES DE FUNCIONAMIENTO

3. Utilice el interruptor de reversa del ventilador, ubicado en la parte de la carcasa del interruptor del soporte del kit de iluminación (D), para optimizar el rendimiento de su ventilador según la estación del año.

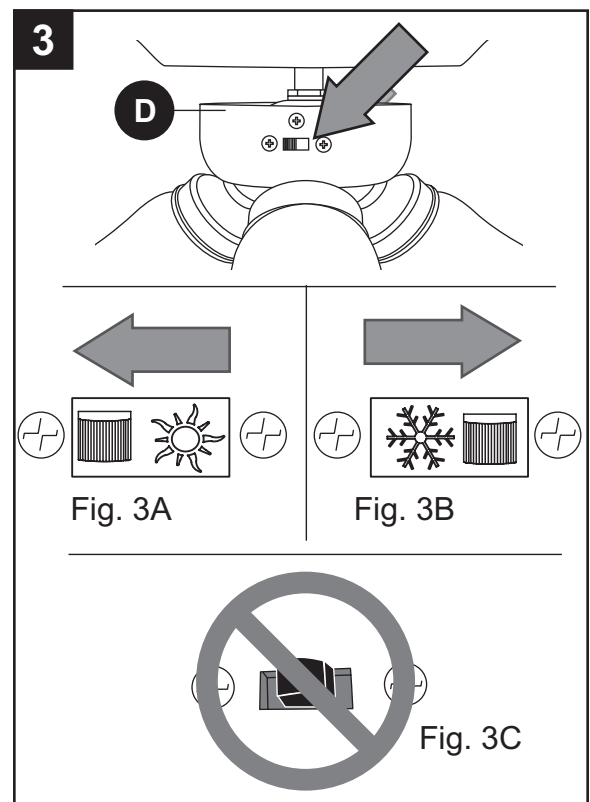
Un ventilador de techo le permitirá elevar la configuración de su termostato en verano y disminuirla en invierno, sin sentir una diferencia en su comodidad.

Nota: Espere a que el ventilador se detenga antes de mover el interruptor de reversa.

3A. En climas más cálidos, presione el interruptor de reversa hacia la izquierda y verá un icono de un sol, lo que creará un flujo de aire descendente que generará un efecto de viento refrescante.

3B. En climas más fríos, deslice el interruptor de reversa hacia la derecha y verá un icono de copo de nieve, lo que creará un flujo de aire ascendente que puede ayudar a mover el aire caliente estancado fuera del área del techo.

Importante: El interruptor de reversa se debe deslizar completamente hacia la derecha o hacia la izquierda para que el ventilador funcione correctamente. Si el interruptor de reversa se configura en la posición del medio, el ventilador no funcionará.



CUIDADO Y MANTENIMIENTO

Al menos dos veces al año, baje la base para revisar el ensamblaje de la varilla, y luego apriete todos los tornillos del ventilador. Limpie la carcasa del motor solo con un cepillo suave o un paño sin pelusas para evitar rayar el acabado. Limpie las aspas con un paño sin pelusas. De vez en cuando puede aplicar una fina capa de pulidor para muebles en las aspas de madera para darles más protección.

Importante: Antes de realizar cualquier trabajo de mantenimiento, desconecte el suministro de electricidad principal. No utilice agua ni un paño húmedo para limpiar el ventilador.



SOLUCIÓN DE PROBLEMAS

PROBLEMA	CAUSA POSIBLE	ACCIÓN CORRECTIVA
El ventilador no se mueve.	<ol style="list-style-type: none"> 1. El interruptor de reversa no está activado. 2. El interruptor de pared se apagó. 3. No hay suministro de electricidad o hay un fusible (interruptor) quemado. 4. Una conexión de los cables no es la correcta. 	<ol style="list-style-type: none"> 1. Mueva firmemente el interruptor de reversa hacia la izquierda o hacia la derecha. 2. Asegúrese de que el interruptor de pared esté encendido. 3. Encienda el suministro de electricidad o verifique el fusible (interruptor). 4. Desactive el suministro de electricidad y revise todas las conexiones de la caja de salida del techo.
El ventilador hace ruido.	<ol style="list-style-type: none"> 1. Las aspas están sueltas. 2. Hay un aspa partida. 3. El control de pared no es compatible con el ventilador. 4. No se supera el período de asentamiento. 5. La caja de salida no está asegurada. 6. La abrazadera de montaje no está asegurada. 	<ol style="list-style-type: none"> 1. Revise y apriete todos los tornillos que sostienen las aspas del ventilador en los brazos de las aspas y en el motor. 2. Reemplace el aspa partida. 3. No use un regulador de intensidad de rango completo para controlar la velocidad del ventilador. 4. Haga funcionar el ventilador de 24 a 48 horas continuamente a velocidad media o alta durante el período de "asentamiento". 5. Revise que la caja de salida esté asegurada a la estructura del edificio. 6. Asegúrese de que la abrazadera de montaje esté fija en la caja de salida y que los tornillos estén apretados.
Hay un tambaleo excesivo.	<ol style="list-style-type: none"> 1. Una o varias aspas están flojas. 2. Las aspas no están equilibradas. 3. El montaje del ventilador no está asegurado. 4. El ventilador está demasiado cerca del techo de bóveda. 5. El tornillo de ajuste de la horquilla de la carcasa del motor está flojo. 	<ol style="list-style-type: none"> 1. Revise y apriete todos los tornillos que sostienen las aspas del ventilador en los brazos de las aspas y los brazos de las aspas en el motor. 2. Intercambie un aspa con otra del lado opuesto. O equilibre el ventilador mediante el kit de equilibrio (no se incluye). 3. Desconecte el suministro de electricidad. Afloje la base y verifique que la abrazadera de montaje esté asegurada en la caja de salida eléctrica. La abrazadera debe estar al ras de la caja de salida y no debe moverse. 4. Utilice una varilla más larga o mueva el ventilador a otra ubicación. 5. Levante la cubierta de horquilla y apriete el tornillo de ajuste en la horquilla hasta que quede firme.

SOLUCIÓN DE PROBLEMAS

PROBLEMA	CAUSA POSIBLE	ACCIÓN CORRECTIVA
El ventilador funciona correctamente, pero las luces no funcionan (si corresponde).	<ol style="list-style-type: none"> 1. Las bombillas no están bien instaladas. 2. Los enchufes de cables del kit de iluminación no están conectados apropiadamente. 3. Una conexión de los cables no es la correcta. 4. La potencia total de la luz supera los 190 vatios. 	<ol style="list-style-type: none"> 1. Vuelva a instalar las bombillas. 2. Asegúrese de que los enchufes macho y hembra del soporte del kit de iluminación estén conectados correctamente. 3. Desactive el suministro de electricidad y revise todas las conexiones de la caja de salida del techo. 4. El ventilador cuenta con un fusible limitador de potencia a 190 vatios. Si los vatios totales de las luces superan los 190, las luces no funcionan. Reemplace las bombillas por unas de menor vataje.

GARANTÍA LIMITADA DE POR VIDA

El fabricante garantiza que este ventilador no presenta defectos de mano de obra ni de materiales en el momento del transporte desde la fábrica durante un período de por vida a partir de la fecha de compra del comprador original. El comerciante garantiza, también, que las demás piezas del ventilador, con excepción de cualquier aspa de vidrio o plexiglás, no presentan defectos de mano de obra ni de materiales en el momento del transporte desde la fábrica, durante un período de un año a partir de la fecha de compra por parte del comprador original. El fabricante acepta reparar dichos defectos sin cargo o, a su elección, reemplazar el ventilador de techo por un modelo comparable o superior.

Para obtener el servicio de garantía, presente una copia del recibo como comprobante de la compra. Todos los costos de retiro y reinstalación del producto son su responsabilidad. Esta garantía no se aplica a ningún daño que se produzca en cualquier pieza del producto como consecuencia de un accidente, uso indebido o instalación incorrecta, o causado por elementos accesorios. El fabricante no asume ningún tipo de responsabilidad por la instalación del ventilador durante la garantía limitada de por vida. Cualquier servicio realizado por una persona no autorizada invalidará la garantía.

Debido a las cambiantes condiciones climáticas, esta garantía no cubre cambios en el acabado de latón, incluidos la oxidación, las picaduras, la corrosión, el deslustre o el descascarado. Los acabados de latón de este tipo proporcionan una vida útil más prolongada si se los protege de las cambiantes condiciones climáticas. La garantía no cubre los elementos de vidrio incluidos con este ventilador.

Cualquier reemplazo de piezas defectuosas para el ventilador de techo debe informarse dentro del primer año a partir de la fecha de compra. Para conocer el saldo de la garantía, llame a nuestro Departamento de Servicio al Cliente y obtenga la autorización de la devolución e instrucciones de envío de modo que podamos reparar o reemplazar el ventilador de techo. Cualquier ventilador o piezas devueltos de forma incorrecta son responsabilidad única del comprador. No existen otras garantías explícitas. El fabricante rechaza cualquier y todas las garantías. La duración de cualquier garantía implícita que no se pueda rechazar se limita al período de tiempo especificado en la garantía expresa. El fabricante no será responsable por daños incidentales, resultantes o especiales que surjan en relación con el uso o el rendimiento del producto, excepto que la ley indique lo contrario. Esta garantía le otorga derechos legales específicos, pero podría tener, también, otros derechos que varían según el estado.

Esta garantía sustituye cualquier garantía previa.

Nota: Un cierto "tambaleo" es normal y no se debe considerar como un defecto.



LISTA DE PIEZAS DE REPUESTO

Para obtener piezas de repuesto, llame a nuestro Departamento de Servicio al Cliente al 1-800-643-0067, de lunes a jueves de 8:00 a.m. a 6 p.m., hora estándar del Este, y los viernes de 8 a.m. a 5 p.m., hora estándar del Este.

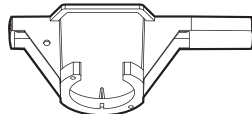
PIEZA	DESCRIPCIÓN	MODELO 40198 PIEZA #	MODELO 40199 PIEZA #
A	Varilla	179178-A	176493-A
B	Base	179178-B	176493-B
C	Abrazadera de montaje	179178-C	176493-C
D	Soporte del kit de iluminación	179178-D	176493-D
F	Cubierta de la horquilla	179178-F	176493-F
G	Brazo del aspa	179178-G	176493-G
H	Aspa	179178-H	176493-H
I	Pantalla de vidrio giratoria	179178-I	176493-I
K	Cubierta de la base	179178-K	176493-K
LL	Kit de aditamentos	179178-LL	176493-LL



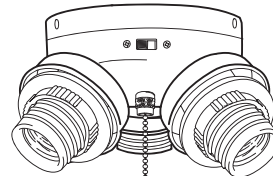
A



B



C



D



F



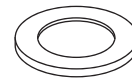
G



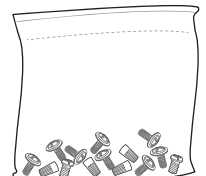
H



I



K



LL

Impreso en China

Harbor Breeze® es una marca registrada de LF, LLC.

Todos los derechos reservados.