



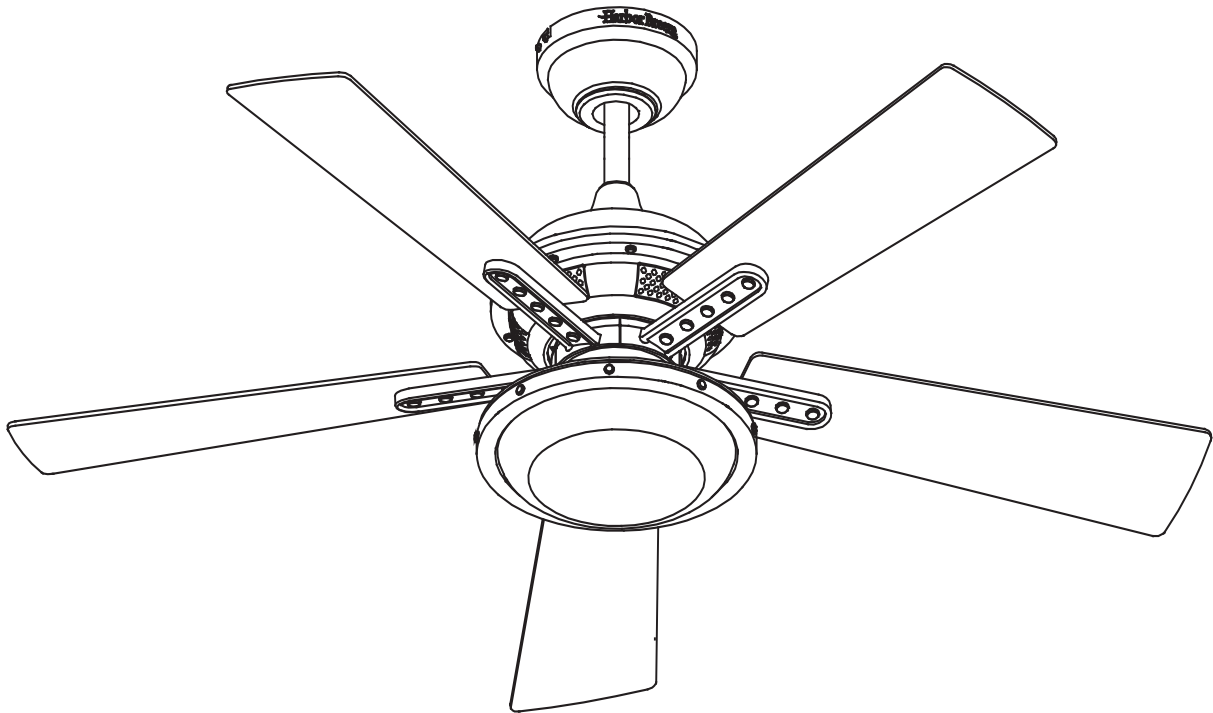
ITEM #0747615

LAKE CYPRESS CEILING FAN

MODEL #CPW1413

Español p. 20

Harbor Breeze® is a registered trademark of LF, LLC. All Rights Reserved.



ATTACH YOUR RECEIPT HERE

Serial Number _____ Purchase Date _____



Questions, problems, missing parts? Before returning to your retailer, call our customer service department at 1-800-643-0067, 8 a.m. - 6 p.m., EST, Monday - Thursday, 8 a.m. - 5 p.m., EST, Friday.

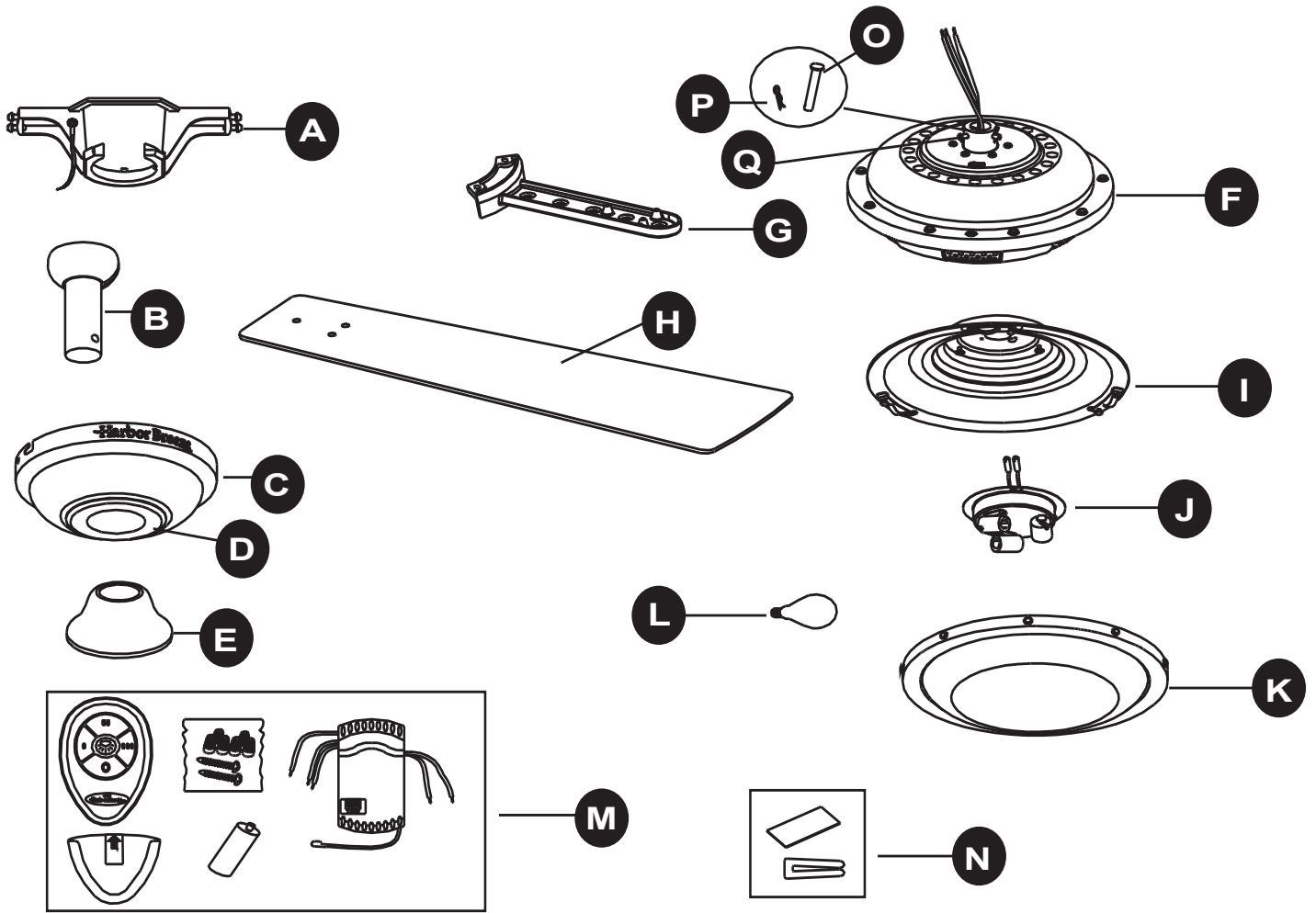


TABLE OF CONTENTS

| | |
|--|----|
| Package Contents..... | 3 |
| Hardware Contents..... | 4 |
| Safety Information..... | 4 |
| Preparation | 5 |
| Initial Installation Instructions..... | 6 |
| Wiring Instructions..... | 9 |
| Final Installation Instructions..... | 12 |
| Operating Instructions..... | 15 |
| Care and Maintenance | 16 |
| Troubleshooting..... | 16 |
| Limited Lifetime Warranty..... | 18 |
| Replacement Parts List | 19 |



PACKAGE CONTENTS

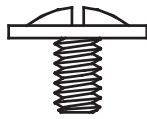


| PART | DESCRIPTION | QUANTITY |
|------|---|----------|
| A | Mounting Bracket | 1 |
| B | Downrod Assembly | 1 |
| C | Canopy | 1 |
| D | Canopy Cover (preassembled on Canopy (C)) | 1 |
| E | Coupling Cover | 1 |
| F | Motor Housing | 1 |
| G | Blade Holder | 5 |
| H | Blade | 5 |
| I | Switch Housing | 1 |

| PART | DESCRIPTION | QUANTITY |
|------|--|----------|
| J | Light Kit | 1 |
| K | Glass Assembly | 1 |
| L | Bulb | 3 |
| M | Power Kit | 1 |
| N | Balance Kit | 1 |
| O | Clevis Pin (preassembled on Motor Housing (F)) | 1 |
| P | Hairpin Clip (preassembled on Motor Housing (F)) | 1 |
| Q | Coupling Screw (preassembled on Motor Housing (F)) | 2 |

HARDWARE CONTENTS

AA



Blade Screw
Qty. 15 + 1 Extra

BB



Motor Screw
Qty. 10 (5 preassembled) + 1 Extra



SAFETY INFORMATION

READ AND SAVE THESE INSTRUCTIONS

Please read and understand this entire manual before attempting to assemble, operate or install the product.

- All electrical connections must comply with local codes, ordinances or the National Electric Code (NEC). Contact your municipal building department to inquire about your local codes, permits and/or inspections.
- Turn off electricity at the main fuse box (or circuit breaker box) before beginning installation by removing the fuse or by switching off the circuit breaker.
- Do not connect this fixture to an electrical system that does not provide a means for equipment grounding. Never use a fixture in a two-wire system that is not grounded.
- If you are not sure your lighting system has a grounding means, do not attempt to install this fixture. Contact a qualified, licensed electrician for information regarding proper grounding methods as required by the local electrical code in your area.
- Make sure the installation site you choose allows a minimum clearance of 7 ft. from the blades to the floor and at least 30 in. from the ends of the blades to any obstruction.
- Secure the outlet box directly to the building structure. The outlet box and its support must be able to support the moving weight of the fan (at least 35 lbs.).
- If a dimmer control switch is used with this fixture, obtain professional advice to determine the correct type and electrical rating required.
- The lighting fixture must be positioned so there is at least 1.64 ft. between the bulb and any illuminated surface.
- For supply connections, if the conductor of a fan is identified as a grounded conductor, then it should be connected to a grounded conductor power supply. If the conductor of a fan is identified as an ungrounded conductor, then it should be connected to an ungrounded conductor power supply. If the conductor of a fan is identified for equipment grounding, then it should be connected to an equipment-grounding conductor.



CAUTION

- All fixtures must be mounted to a 4 in. x 4 in. x 2-1/8 in. deep metal outlet box that is supported by the building structure. Do not attempt to support the fixture by ceiling board alone. The ceiling board alone does not have the strength to support the weight of the fixture. The fixture could fall and cause personal injury.
- Do not use bulbs having a wattage greater than the maximum value stated on the fixture and in this manual. Using a higher wattage bulb than specified will increase fixture temperature and increase risk of fire.

WARNING

- Risk of fire. Most dwellings built before 1985 have supply wire rated for 140°F. Consult a qualified electrician before installation.
- Wire connectors will not support the weight of a fixture; suspending a fixture by the house wires and wire connectors will result in the fixture falling, with the possibility of personal injury and the danger of electrical shock or fire.
- To reduce the risk of fire or electric shock, do not use this fan with any solid state fan speed device or variable speed control.
- To reduce the risk of personal injury, do not bend the blade brackets when installing the brackets, balancing or cleaning the fan.
- Do not insert foreign objects in between rotating fan blades.
- Do not install or use the fan if any part is damaged or missing.
- To reduce the risk of fire, electrical shock or personal injury, mount to outlet box marked “ACCEPTABLE FOR FAN SUPPORT OF 35 LBS OR LESS” and use mounting screws provided with the outlet box and/or support directly from building structure. Most outlet boxes commonly used for the support of luminaries are not acceptable for fan support and may need to be replaced. Consult a qualified electrician if in doubt.
- Before servicing or cleaning the unit, switch power off at the service panel and lock the service disconnecting means to prevent power from being switched on accidentally. When the service disconnecting means cannot be locked, securely fasten a prominent warning device, such as a tag, to the service panel.

DANGER

- Installing a fixture into an electrical system without a proper grounding means could allow metal parts of the fixture to carry electrical currents. If any of the fixture wires, wire connections or splices are broken, cut or loose during the mounting or normal operation of the fixture, under such condition, anyone coming in contact with the fixture is subject to electrical shock, which could cause serious injury or death.
- Connection of the bare or green fixture ground wire to the black or white house wires may allow metal parts of the fixture to carry electrical currents. Under this condition anyone coming in contact with the fixture will receive electrical shock, which could cause serious injury or death.
- Be careful not to damage or cut the wire insulation (covering) during fixture installation. Do not permit wires to have contact with any surface having a sharp edge. Doing so may damage or cut the wire insulation, which could cause serious injury or death from electric shock.

PREPARATION

Before beginning assembly of product, make sure all parts are present. Compare parts with package contents list and hardware contents list. If any part is missing or damaged, do not attempt to assemble the product.

Estimated Assembly Time: 45 minutes

Tools Required for Assembly (not included): Philips Screwdriver, Step Ladder, Tape, Pliers and Wire Cutters.

INITIAL INSTALLATION INSTRUCTIONS

1. Turn off circuit breakers and wall switch to the fan supply line leads.

! DANGER: Failure to disconnect power supply prior to installation may result in serious injury or death.

2. Choose the desired mounting method:

A. Standard Mounting:

Standard mounting is best suited for ceilings 8 feet or higher. For taller ceilings you may want to use a longer downrod (not included).

B. Angle Mounting:

Angle-style mounting is best suited for angled or vaulted ceilings. A longer downrod is sometimes necessary to ensure proper blade clearance. If using the angle mount, make sure the ceiling angle is not steeper than 20°.

C. Flush Mounting:

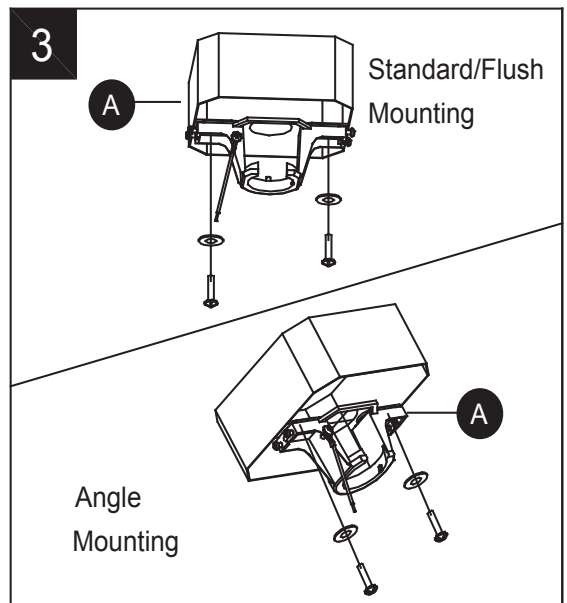
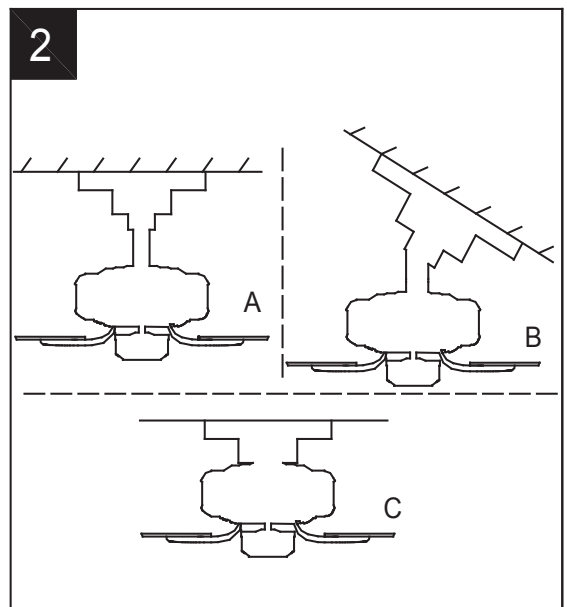
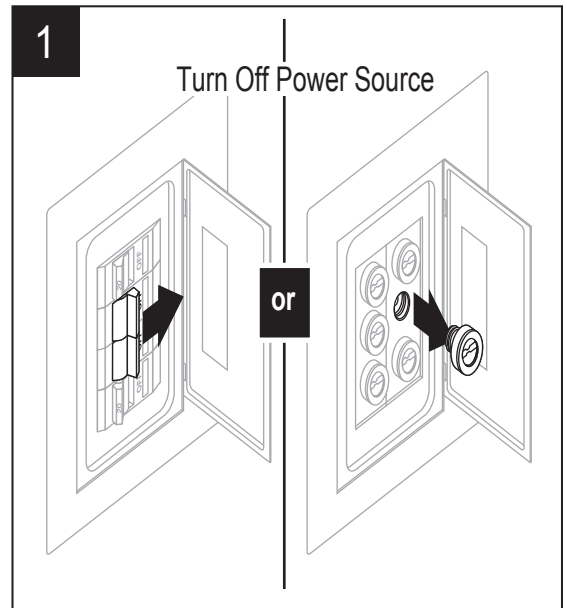
Flushmount installation is used for ceilings less than 8 feet high.

For ALL mounting options, there must be at least 30 inches from the blade tip to nearest wall. Also, ensure there is 7 feet from the bottom edge of the blade to the floor.

3. Check existing outlet box (not included) to ensure it is securely fastened to at least two points in a structural ceiling member and can support the full weight of the fan. Once verified, install mounting bracket (A) to the outlet box using the screws and washers provided with the outlet box.

! DANGER: A loose outlet box can cause the fan to wobble and increase the fan's potential to fall, which could result in serious injury or death.

Note: If using the angle mount, make sure open end of mounting bracket (A) points toward the ceiling.



INITIAL INSTALLATION INSTRUCTIONS

4. Remove hairpin clip (P) and clevis pin (O) from the coupling in motor housing (F). Retain for later use.

Loosen the two coupling screws (Q), but do not remove them.

Note: Make sure to keep loose hardware separate to avoid confusion during installation.

For **STANDARD/ANGLE-MOUNTING INSTRUCTIONS**, proceed to step 1 below.
For **FLUSHMOUNT INSTRUCTIONS**, skip to page 8.

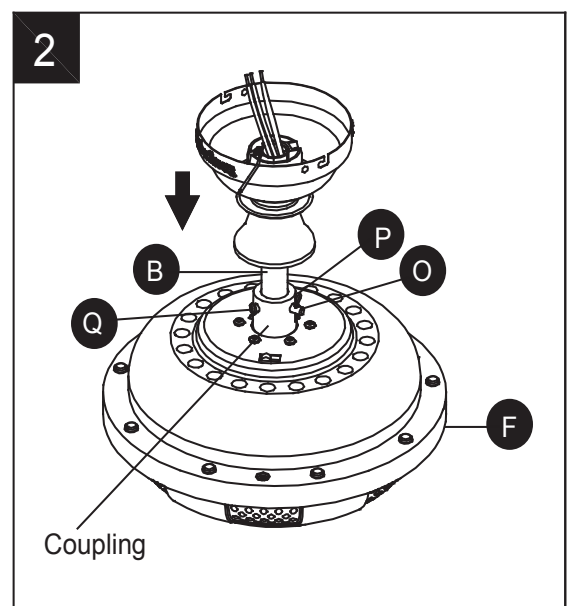
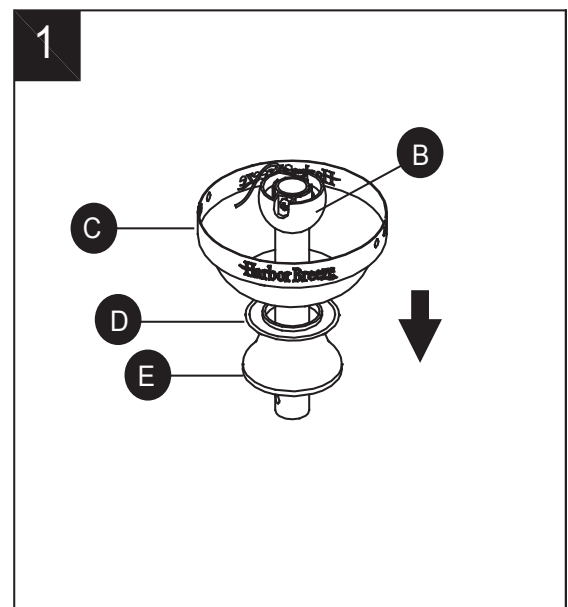
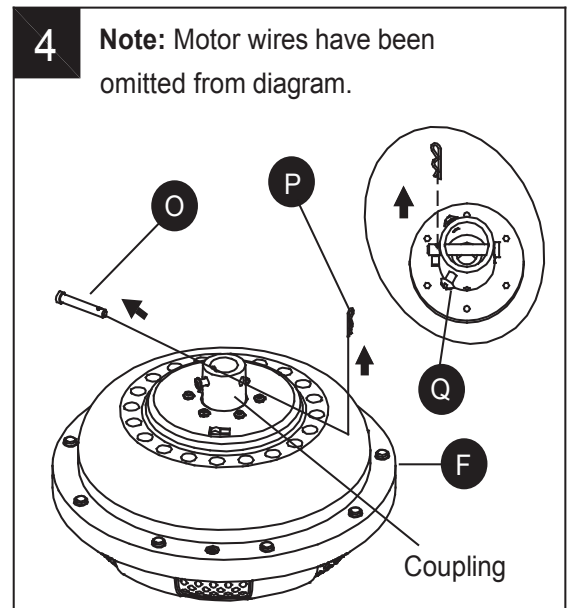
STANDARD/ANGLE-MOUNTING INSTRUCTIONS

1. Insert downrod assembly (B) through canopy (C), canopy cover (D) and coupling cover (E).

2. Feed power wires from motor housing (F) through downrod assembly (B), then insert downrod assembly (B) into the coupling on motor housing (F).

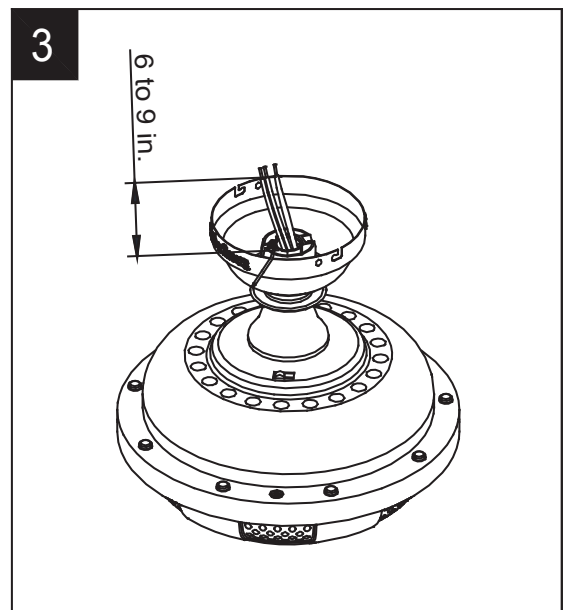
Align the hole on downrod assembly (B) to the hole on the coupling, then re-install clevis pin (O). Re-attach hairpin clip (P) into clevis pin (O) until it snaps into place, then tighten the two previously loosened coupling screws (Q).

WARNING: Ensure all screws are tight before moving on to the next step.



STANDARD/ANGLE-MOUNTING INSTRUCTIONS

3. Cut off excess fixture wires approximately 6 to 9 inches above top of the downrod assembly (B). Strip insulation off 1/2 in. from the end of each fixture wire.

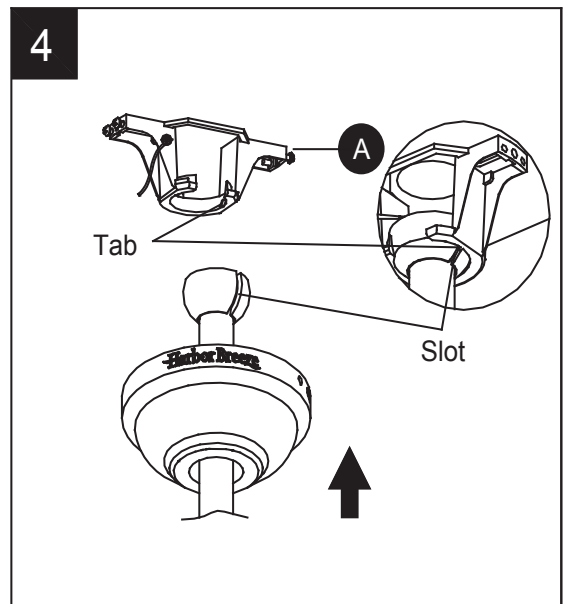


4. Carefully lift the fan and place the hanger ball of downrod assembly (B) in the mounting bracket (A) attached to the outlet box.

NOTE: Be sure the slot in the hanger ball is lined up with the tab on the mounting bracket (A).

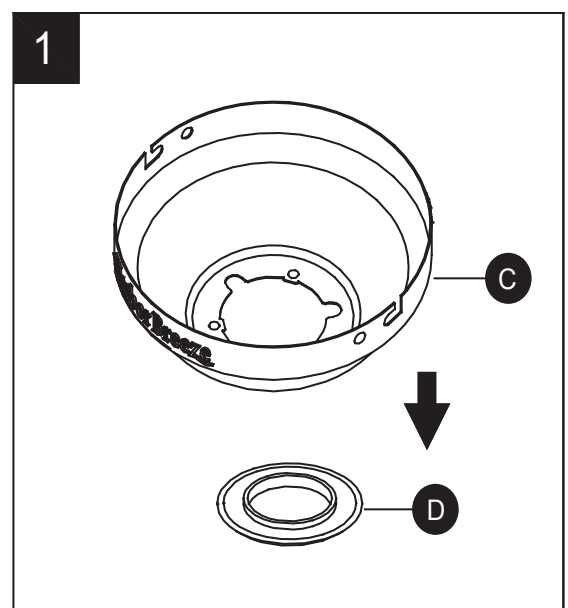
! DANGER: Be careful when aligning the tab to the slot! If not fully engaged, there is a possibility of the fan falling, which may result in serious injury or death.

Proceed to **WIRING** on page 10.



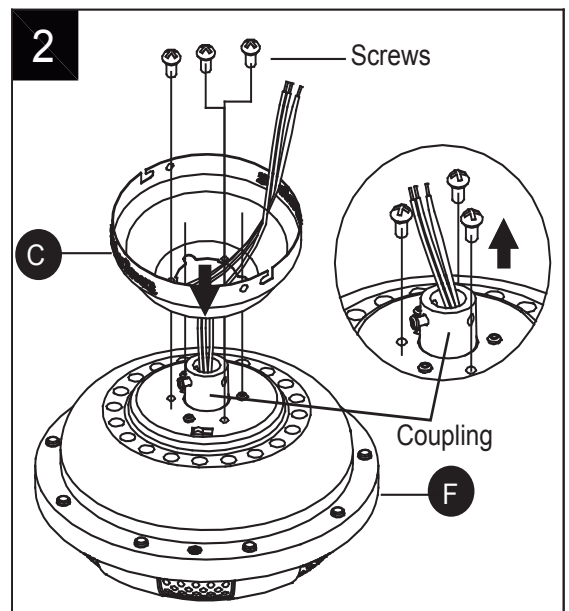
FLUSHMOUNT INSTRUCTIONS

1. Remove canopy cover (D) by pressing out on the inner edges until it releases from the canopy (C).



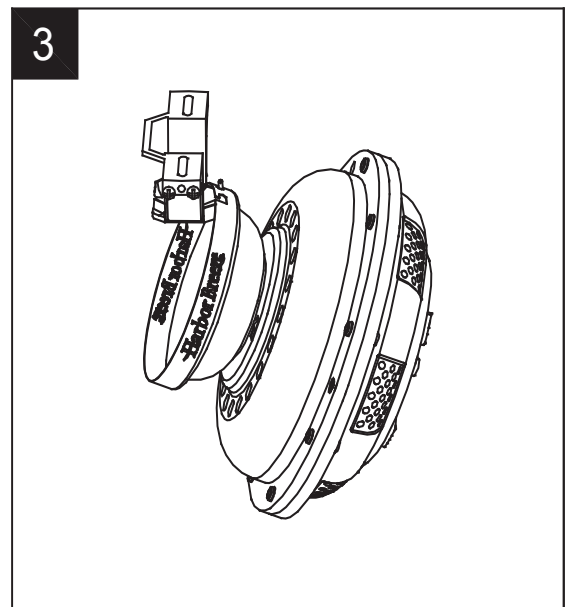
FLUSHMOUNT INSTRUCTIONS

2. Remove the three preassembled Phillips screws near the coupling on the motor housing (F). Save them for future use. Guide motor wires through the base of the canopy (C), then attach canopy (C) to motor housing (F) with previously removed screws. Tighten securely.



3. Raise assembly and temporarily place one side of canopy (C) onto hook of mounting bracket (A). This will allow for hands-free wiring.

Proceed to **WIRING** on page 10.



WIRING INSTRUCTIONS

! WARNING: To avoid possible electrical shock, be sure electricity is turned off at the main fuse box before hanging.

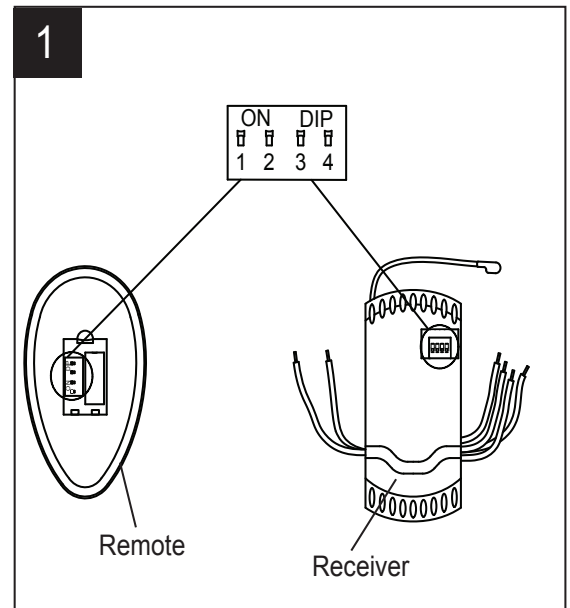
Note: If you are not sure if the outlet box is grounded, contact a licensed electrician for advice, as it must be grounded for safe operation.

Note: The remote from power kit (M) has 16 different code combinations. To prevent possible interference from or to other remote units, simply change the combination code in your remote and receiver as described in Step 1 below.

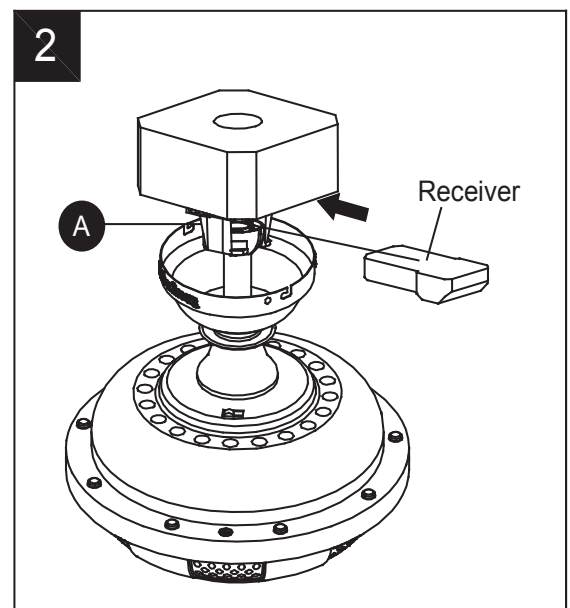
! WARNING: If house wires are of different colors than referred to in the following steps, stop immediately. A professional electrician is recommended to determine proper wiring.

1. To sync the remote from power kit (M) to the receiver also in power kit (M), first remove the battery cover from the remote and slide code switches to your choice of up or down position using a small screwdriver or ballpoint pen (neither included). Slide the code switches on the receiver to the same positions, then replace battery cover on the remote.

Note: The factory setting for the code switches is all up; do not use this position.



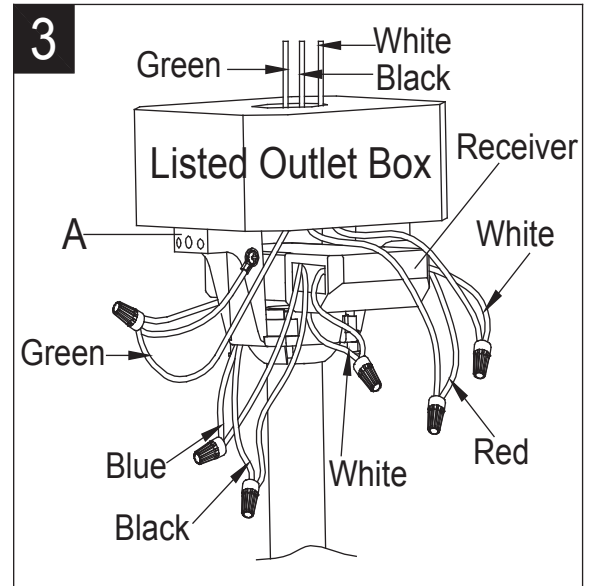
2. Slide the receiver from the power kit (M) into the open end of the mounting bracket (A) with the flat side of the receiver facing the ceiling.



WIRING INSTRUCTIONS

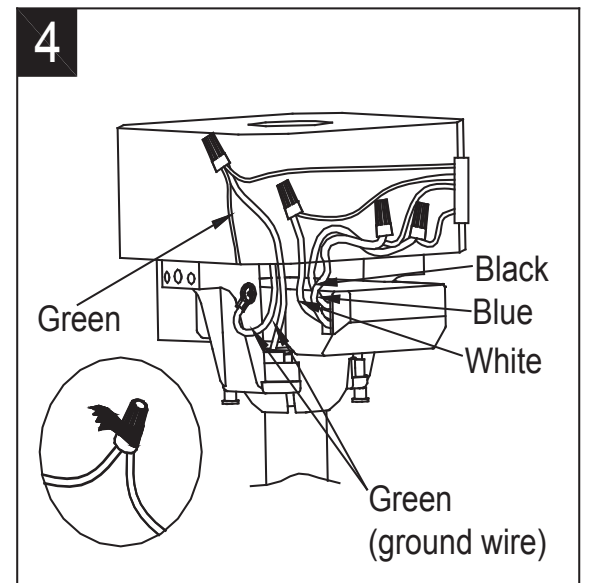
3. Make wire connections as follows:

- Connect WHITE wire from the fan to WHITE wire from receiver from the power kit (M) marked "TO MOTOR N" using a wire connector from power kit (M).
- Connect BLACK wire from fan to BLACK wire from receiver from the power kit (M) marked "TO MOTOR L" using a wire connector from power kit (M).
- Connect BLUE wire from the fan to BLUE wire from receiver from the power kit (M) marked "FOR LIGHT" using a wire connector from power kit (M).
- Connect BLACK wire from outlet box to RED wire from receiver from the power kit (M) marked "AC IN L" using a wire connector from power kit (M).
- Connect WHITE wire from outlet box to WHITE wire from receiver from the power kit (M) marked "AC IN N" using a wire connector from power kit (M).
- Connect the GREEN wires from outlet box to the GREEN wires from fan and mounting bracket (A) using a wire connector from power kit (M).



- ### 4. Wrap electrical tape (not included) around each wire connector and make sure no bare wire or wire strands are visible after making connections.

Then, turn wires upward and carefully push them into the outlet box; make sure the WHITE and GREEN connections are on one side and the BLACK connections are on the other side.

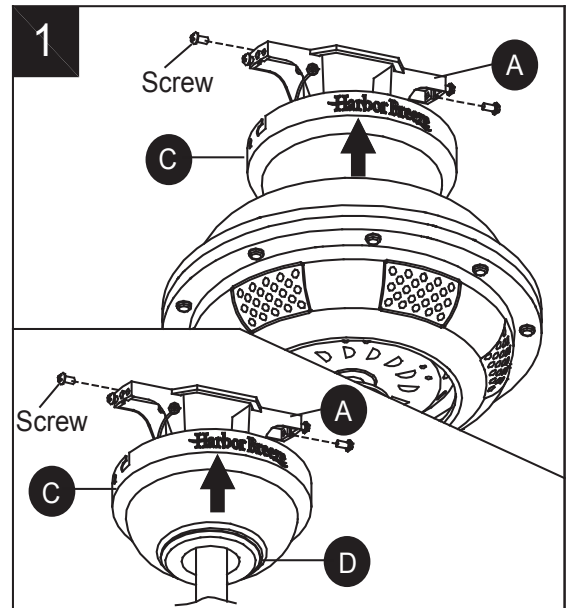


FINAL INSTALLATION INSTRUCTIONS

NOTE: Flushmount installation will not use the downrod assembly (B), canopy cover (D) or coupling cover (E).

1. Loosen (but do not remove) the two mounting bracket screws preassembled on mounting bracket (A) that align with the slotted holes on canopy (C). Remove the other two mounting bracket screws. Lift canopy (C) up so slotted holes engage loosened screw heads on mounting bracket (A), then twist canopy (C) clockwise. Re-install previously removed mounting bracket screws, then tighten all screws securely.

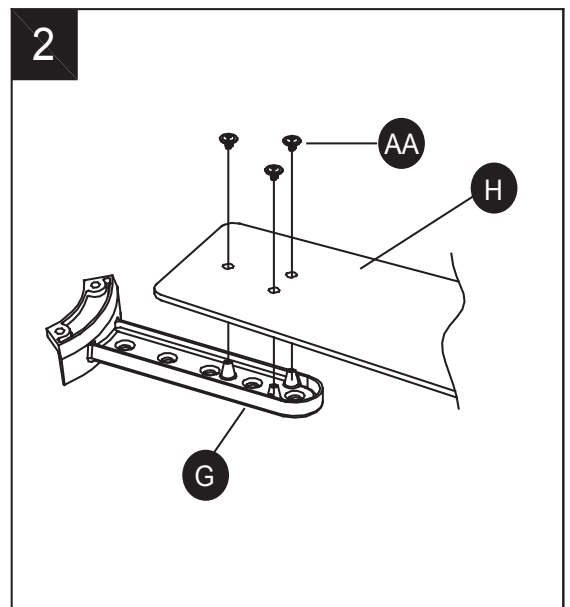
Note: If the canopy cover (D) is loose during installation, please press it to the inner edge of the canopy (C).



2. Position one blade holder (G) under blade (H). Insert three blade screws (AA) through blade (H) and into blade holder (G). Tighten each blade screw (AA) evenly, starting with the center screw.

Repeat for the remaining blade assemblies.

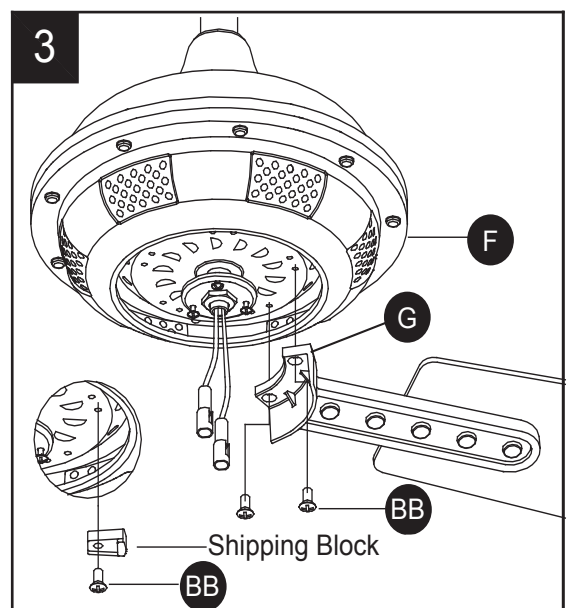
Hardware Used



3. If present, remove and discard the preassembled plastic motor blocks but remain the motor screws (BB) from motor housing (F). Position one completed blade assembly under motor housing (F), aligning the holes in blade holder (G) with those in motor housing (F). Secure blade assembly using motor screws (BB), tightening by hand only.

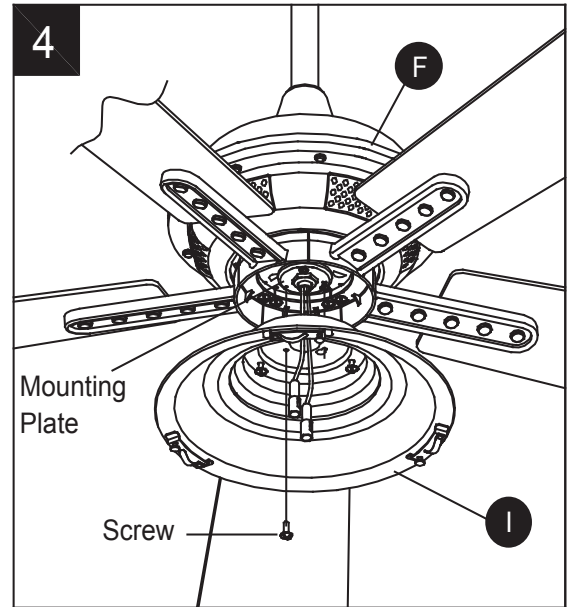
Repeat this step for the remaining blade assemblies.

Hardware Used

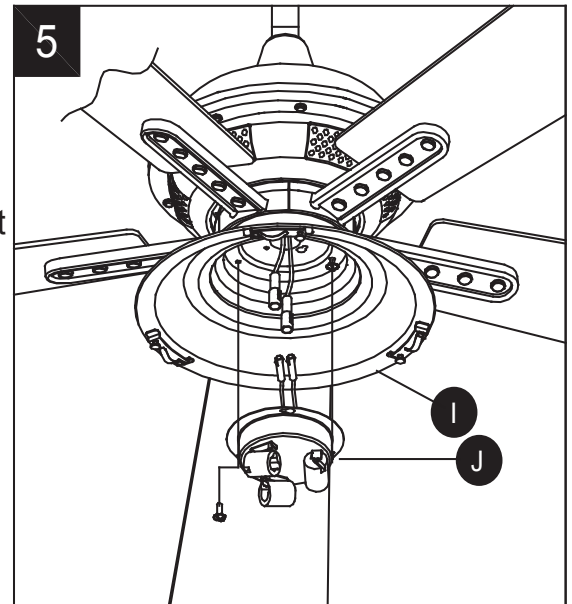


FINAL INSTALLATION INSTRUCTIONS

4. Remove one of the screws preassembled on mounting plate of motor housing (F) and loosen but do not remove the other two. Insert the wires from the motor housing (F) through the middle hole in the switch housing (I). Attach the switch housing (I) to the mounting plate by placing the keyslot holes of the switch housing (I) onto the two protruding screw heads on the mounting plate. Twist the switch housing (I) until the screws engage the keyslots, then install the previously removed screw into the closed hole in the switch housing (I). Tighten all screws to secure switch housing (I) to mounting plate.

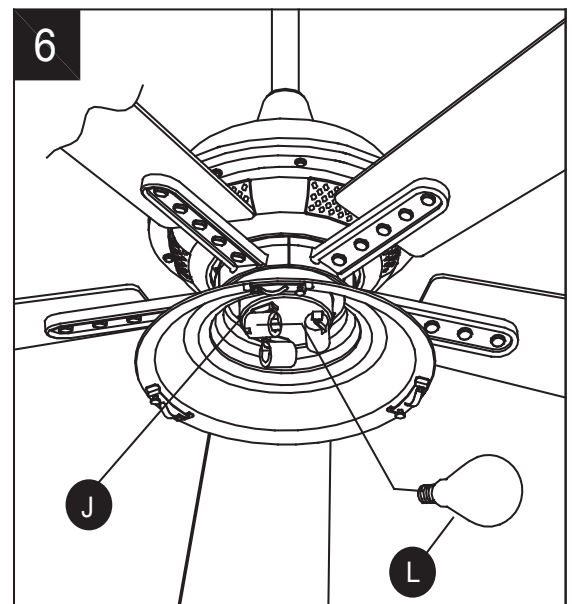


5. Connect the 2 single-pin connectors from the motor housing (F) to the 2 single-pin connectors from the light kit (J) - **WHITE to WHITE** and **BLACK to BLACK**. Remove one of the screws from the switch housing (I) and loosen but do not remove the other two. Attach the light kit (J) to the switch housing (I) by placing the keyslot holes from the light kit (J) onto the two protruding screws on the switch housing (I). Twist the light kit (J) until the screws engage the keyslots, then install the previously removed screw into the closed hole in the light kit (J). Tighten all screws to secure light kit (J) to switch housing (I).



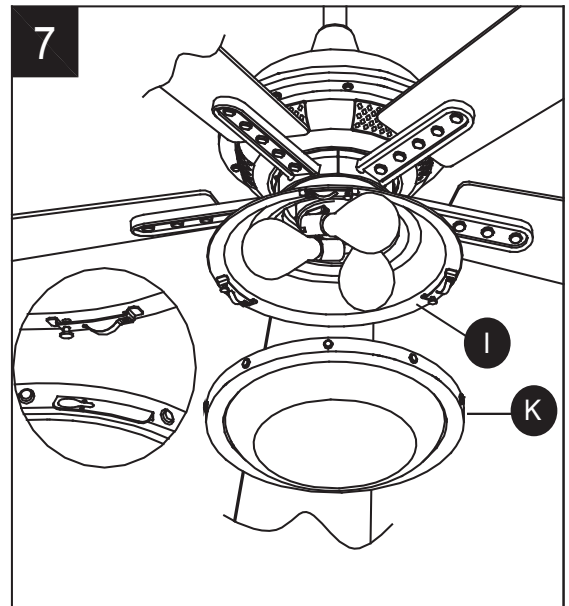
6. Install bulbs (L) into each socket on the light kit (J).

⚠ CAUTION: An energy-saving wattage limiter is included in the receiver from the power kit (M). When replacing bulbs, ensure bulb wattage is less than 190 watts, otherwise the item will either dim the lights to 190 watts or will automatically turn off.

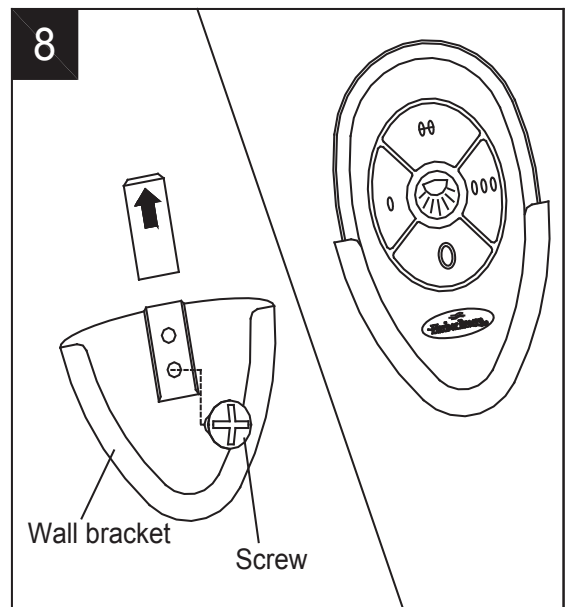


FINAL INSTALLATION INSTRUCTIONS

7. Raise the glass assembly (K) up to the switch housing (I), aligning the keyholes on glass assembly (K) with the 3 preassembled screws on the switch housing (I). Rotate the glass assembly (K) clockwise until the screws drop into the slot recesses.



8. **OPTIONAL:** A wall bracket for the remote is included with power kit (M). Use the screws provided in the power kit (M) to attach the wall bracket to the desired installation site. Once secure, store the remote inside the wall bracket.




OPERATING INSTRUCTIONS

1. Remove battery door from the remote in the power kit (M) and insert battery also from power kit (M). Ensure the polarity of the battery matches the polarity indicated in the battery compartment of remote, then replace battery door.

CAUTION: If you are not expecting to use the remote for a long period of time, remove the battery to prevent damage to the remote. Be sure to store the remote away from excess heat or humidity.

2. The buttons on the remote from the power kit (M) control the fan speed and light as follows:

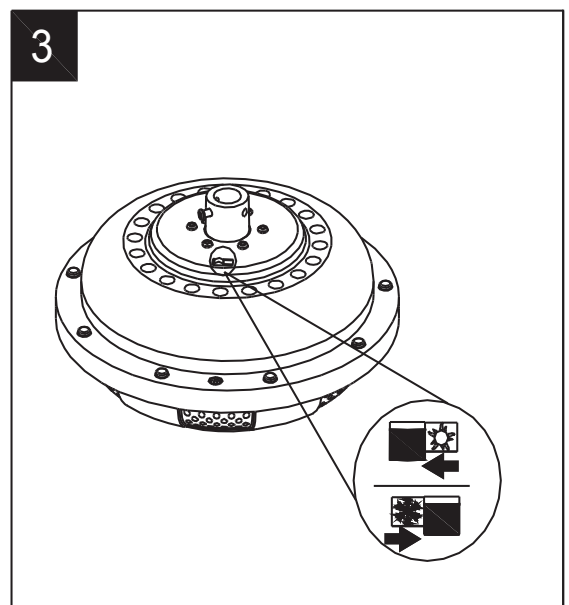
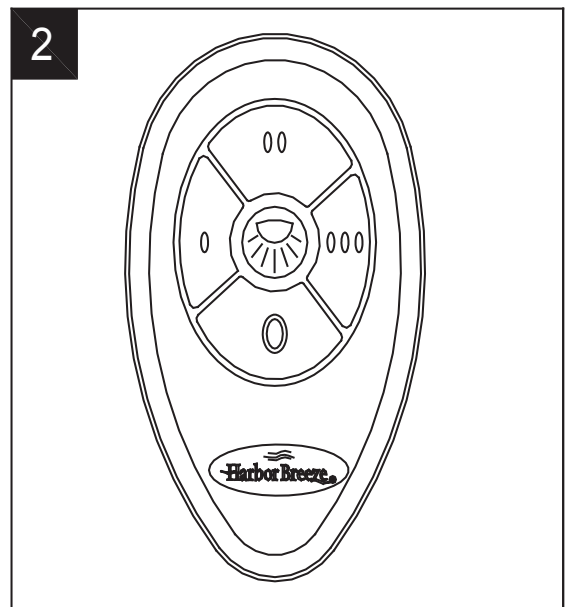
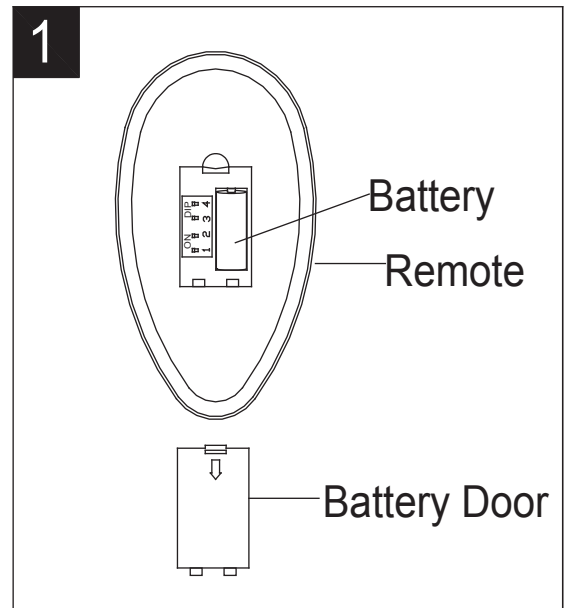
| | |
|---|--|
| 0 | Low speed |
| 00 | Medium speed |
| 000 | High speed |
| 0 | Turn the fan off |
|  | Press the light key quickly and turn the light ON or OFF. Press and hold to dim the light. The light will cycle from bright to dim to bright until button is released. |

Note: This receiver has a preset memory function; when the switch is turned OFF, the control will remember the light intensity and fan speed. When the switch is turned back ON, the light and fan will resume operation as they were prior to the switch being turned OFF.

3. When the season changes, you may want to change the direction in which the fan spins. In warmer weather, counterclockwise rotation creates a downward airflow, which cools the air. Push the switch **LEFT** and see a SUN icon. In cooler weather, clockwise rotation creates an upward airflow, which moves hot air from the ceiling. Push the switch **RIGHT** and see a SNOWFLAKE icon.

WARNING: Turn off and wait for fan to stop before flipping the reverse switch.

Note: Use a small screwdriver or ballpoint pen to move the reverse switch if you have difficulty doing so by hand.



CARE AND MAINTENANCE

! **IMPORTANT:** Shut off main power supply before beginning any maintenance. Do not use water or a damp cloth to clean the ceiling fan.

- At least twice each year, tighten all screws and lower canopy to check mounting plate screws.
- Clean fan housing with only a soft brush or lint-free cloth to avoid scratching the finish. Clean blades with a lint-free cloth. You may occasionally apply a light coat of furniture polish to wood blades for added protection.
- Bulb Replacement: Use three 40-watt max. type-A15 incandescent bulbs. CFLs and LEDs bulbs are not recommended for this item.
- Battery Replacement: Use one 23A 12-volt battery.

TROUBLESHOOTING

| PROBLEM | POSSIBLE CAUSE | CORRECTIVE ACTION |
|-------------------|--|--|
| Fan sounds noisy. | <ol style="list-style-type: none"> 1. Set screws are loose. 2. Using non-approved speed control. 3. Normal noise. 4. Wire connectors inside switch housing rattling. 5. Cracked blade. 6. Faulty light bulb installation. 7. Glass is not secure. | <ol style="list-style-type: none"> 1. Tighten all set screws. 2. Some fan motors are sensitive to signals from solid-state variable speed controls. DO NOT USE a solid-state variable speed control. 3. Allow “break-in” period of 24 hours. Most noises associated with a new fan will disappear after this period. 4. Check to make sure wire connectors in switch housing are not rattling against each other or against the interior wall of the switch housing. 5. Replace blade. 6. Make sure light bulb is tight in socket and does not touch the glass shade. 7. Secure the glass. |
| Fan wobbles. | <ol style="list-style-type: none"> 1. Hanger bracket and/or ceiling outlet box is not securely fastened. 2. Set screw in downrod assembly is loose. 3. Fan hanger ball is not properly seated in canopy tabs. 4. Set screw in motor coupling is loose. | <ol style="list-style-type: none"> 1. Tighten the hanger bracket screws to the outlet box, and/or secure outlet box. 2. Tighten the set screw in the downrod assembly. 3. Turn power off, support the fan very carefully, and check that the hanger ball is properly seated. 4. Raise motor coupling up and tighten set screws securely. |



TROUBLESHOOTING

| PROBLEM | POSSIBLE CAUSE | CORRECTIVE ACTION |
|---------------------|--|---|
| Fan wobbles. | <ul style="list-style-type: none"> 5. Blades are loose. 6. Blade holders are loose. 7. Fan blade out of balance. 8. Fan too close to vaulted ceiling. 9. Transition to different speed. 10. Fan not securely mounted. | <ul style="list-style-type: none"> 5. Check that all blades are screwed firmly into blade holders. 6. Check to be sure the fan blade flanges seat firmly and uniformly on the surface of the motor hub. If flanges are seated incorrectly, loosen the flange screws and retighten. 7. Interchange two adjacent blades; this will redistribute the weight and possibly result in smoother operation. Or, refer to the instructions inside the balance kit (N). 8. Lower or move fan. Extension downrods may be ordered. 9. When switching from medium to low speed, you may notice some fan wobble in the fan. When the fan stabilizes at low speed, wobble will disappear. 10. Make sure canopy and mounting bracket are tightened securely to ceiling joist. |
| Fan does not start. | <ul style="list-style-type: none"> 1. Power turned off, fuse blown or circuit breaker tripped. 2. Loose wire connections or wrong connections. 3. Motor reversing switch not engaged. 4. The dip switches from the remote and receiver are not set to the same frequency. 5. Batteries do not work. | <ul style="list-style-type: none"> 1. Turn power on, replace fuse or reset breaker. 2a. Turn power off and loosen canopy; check all connections according to section WIRING INSTRUCTIONS on page 10 to 11. 2b. Check the plug connection in the switch housing. 3. Push switch firmly right or left. Fan will not operate when switch is in the middle. 4. Check to make sure the dip switches from the remote and receiver are set to the same frequency. 5a. Make sure the batteries are installed properly into the remote. 5b. Replace old battery with new one. |



TROUBLESHOOTING

| PROBLEM | POSSIBLE CAUSE | CORRECTIVE ACTION |
|----------------------|--|---|
| Light does not work. | <ol style="list-style-type: none">1. Wrong wire connection.2. Light bulb is burned out. | <ol style="list-style-type: none">1. Refer to Step 3, page 11 to ensure all wire connections were done correctly.2. Replace the bulbs. |

LIMITED LIFETIME WARRANTY

The manufacturer warrants this fan to be free from defects in workmanship and material present at time of shipment from the factory for life (with limitations) from the date of purchase. This warranty applies only to the original purchaser. The manufacturer agrees to correct such defect at no charge or, at our option, replace the ceiling fan with a comparable or superior model.

To obtain warranty service, present a copy of your sales receipt as proof of purchase. All cost of removal and reinstallation are the expressed responsibility of the purchaser. Any damage to the ceiling fan by accident, misuse or improper installation, or by affixing accessories not produced by this warranty, are at the purchaser's own responsibility. The manufacturer assumes no responsibility whatsoever for fan installation during the limited lifetime warranty. Any service performed by an unauthorized person will render the warranty invalid.

Due to varying climatic conditions, this warranty does not cover changes in brass finish, rusting, pitting, tarnishing, corroding or peeling. Brass finish fans maintain their beauty when protected from varying weather conditions.

Any replacement of defective parts for the ceiling fan must be reported within the first year from the date of purchase. For the balance of the warranty, call our customer service department at 1-800-643-0067 for return authorization and shipping instructions so that we may repair or replace the ceiling fan. Any fan or parts returned improperly packaged is the sole responsibility of the purchaser. There is no further expressed warranty. The manufacturer disclaims any and all implied warranties.

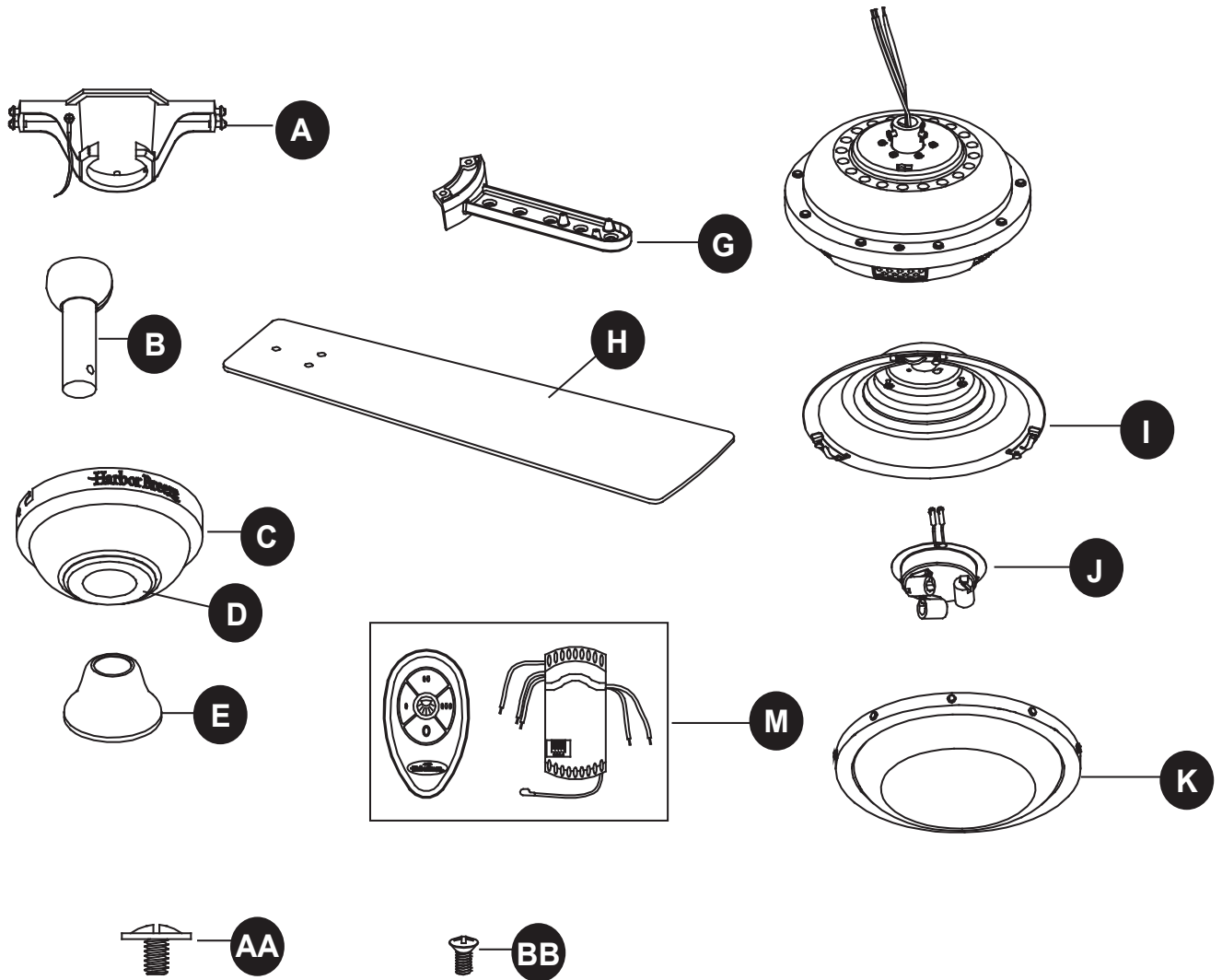
The duration of any implied warranty which can not be disclaimed is limited to the lifetime limited period as specified in our warranty. The manufacturer shall not be liable for incidental, consequential or special damages arising at or in connection with product use or performance except as may otherwise be accorded by law. This warranty gives you specific legal rights, and you also have other rights which vary from state to state. This warranty supersedes all prior warranties.

Note: A small amount of "wobble" is normal and should not be considered a defect.



REPLACEMENT PARTS LIST

For replacement parts, call our customer service department at 1-800-643-0067, 8 a.m. - 6 p.m., EST, Monday - Thursday, 8 a.m. - 5 p.m., EST, Friday.



| PART | DESCRIPTION | PART # |
|------|------------------|--------------|
| A | Mounting Bracket | A102-0282005 |
| B | Downrod Assembly | A103-0328390 |
| C | Canopy | A101-0348390 |
| D | Canopy Cover | A108-0260348 |
| E | Coupling Cover | A106-1262390 |
| G | Blade Holder | A143-0352390 |
| H | Blade | A141-0436001 |
| I | Switch Housing | A121-0328390 |

| PART | DESCRIPTION | PART # |
|------|-----------------|--------------|
| J | Light Kit | A187-0386003 |
| K | Glass Bowl | A182-0378390 |
| M | Remote Receiver | A137-0303036 |
| AA | Blade Screw | B166-0256005 |
| BB | Motor Screw | B166-0487018 |

Printed in China
 Harbor Breeze® is a registered trademark
 F, LLC. All Rights Reserved.

Lowes.com/harborbreeze

