

ITEM #0698390, 0698391



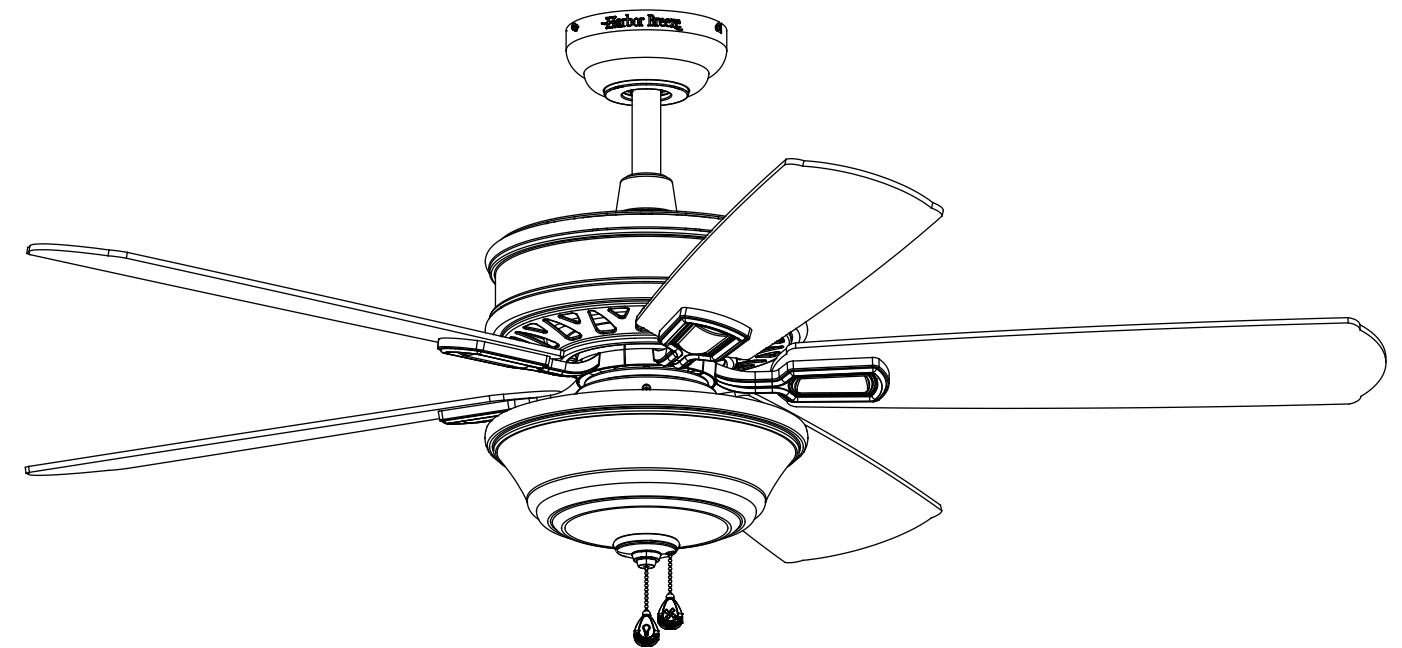
# EASY BREEZE CEILING FAN

MODEL #00887, 00888

UL MODEL #EBZ54

**Español p. 18**

Harbor Breeze® is a registered trademark of LF, LLC. All Rights Reserved.



### ATTACH YOUR RECEIPT HERE

Serial Number \_\_\_\_\_ Purchase Date \_\_\_\_\_



**Questions, problems, missing parts?** Before returning to your retailer, call our customer service department at 1-866-473-4537, 8 a.m. - 7 p.m., EST, Monday - Friday, 9 a.m. - 6 p.m., EST, Saturday.



## TABLE OF CONTENTS

Safety Information.....	2
Package Contents.....	4
Hardware Contents.....	5
Preparation .....	5
Assembly or Installation Instructions .....	6
Operating Instructions .....	15
Care and Maintenance .....	16
Troubleshooting.....	16
Warranty.....	17
Replacement Parts List .....	17

## SAFETY INFORMATION

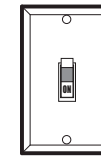
### READ AND SAVE THESE INSTRUCTIONS

Please read and understand this entire manual before attempting to assemble, operate or install the product.

- When using an existing outlet box, be sure the box is securely attached to the building structure and can support the full weight of the fan, so to avoid potential serious injury or death.
- All wiring must be in accordance with the National Electrical Code “ANSI/NFPA 70” and local electrical codes. Electrical installation should be performed by a qualified licensed electrician.
- DO NOT use bulbs with wattage greater than the maximum value stated on the fixture and in this manual. Using a higher wattage bulb than specified will increase fixture temperature and cause risk of fire.
- Disconnect the electrical supply circuit to the fan before installing kit.
- Electrical diagrams are for reference only.
- The net weight of this fan including the light kit is: 22 lbs.

## WARNING

- **ELECTRIC SHOCK HAZARD** - To reduce the risk of electric shock, do not use this fan with any solid-state speed control device.
- **ELECTRIC SHOCK HAZARD** - To reduce the risk of electric shock, make sure the electricity has been turned off at the circuit breaker or fuse box before beginning installation.
- **PERSONAL INJURY HAZARD** - To reduce the risk of injury to persons, install fan so that the blades are 7 ft. above the floor.
- **ELECTRIC SHOCK HAZARD** - Do not install this fan with variable speed wall control or wall-mounted dimmer switch. It will permanently damage the fan’s remote control receiver and cause the fan’s functions to fail.



ON / OFF switch



NO Variable speed wall control



NO Dimmer switch

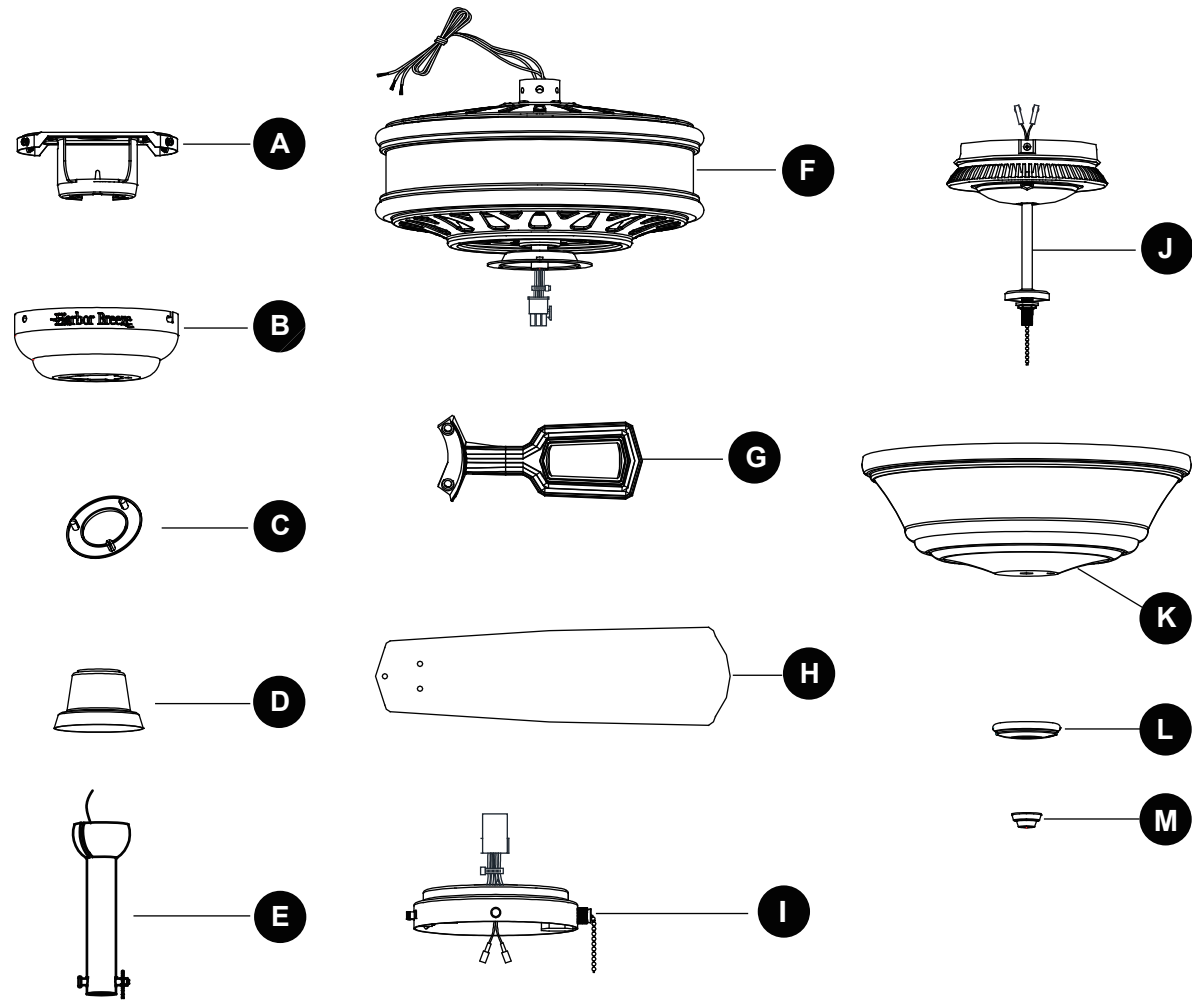
- **FIRE, ELECTRIC SHOCK OR PERSONAL INJURY HAZARD** - To reduce the risk of fire, electric shock, or personal injury, mount to an outlet box marked “ACCEPTABLE FOR FAN SUPPORT OF 35.1 lbs OR LESS” and use the mounting screws provided with the outlet box. Most outlet boxes commonly used for the support of lighting fixtures are not acceptable for fan support and may need to be replaced. Consult a qualified licensed electrician if in doubt.

### CAUTION

- **PERSONAL INJURY HAZARD** - To reduce the risk of personal injury, do not bend the blade brackets when installing the brackets, balancing the blades, or cleaning the fan. DO NOT insert foreign objects in between the rotating fan blades.

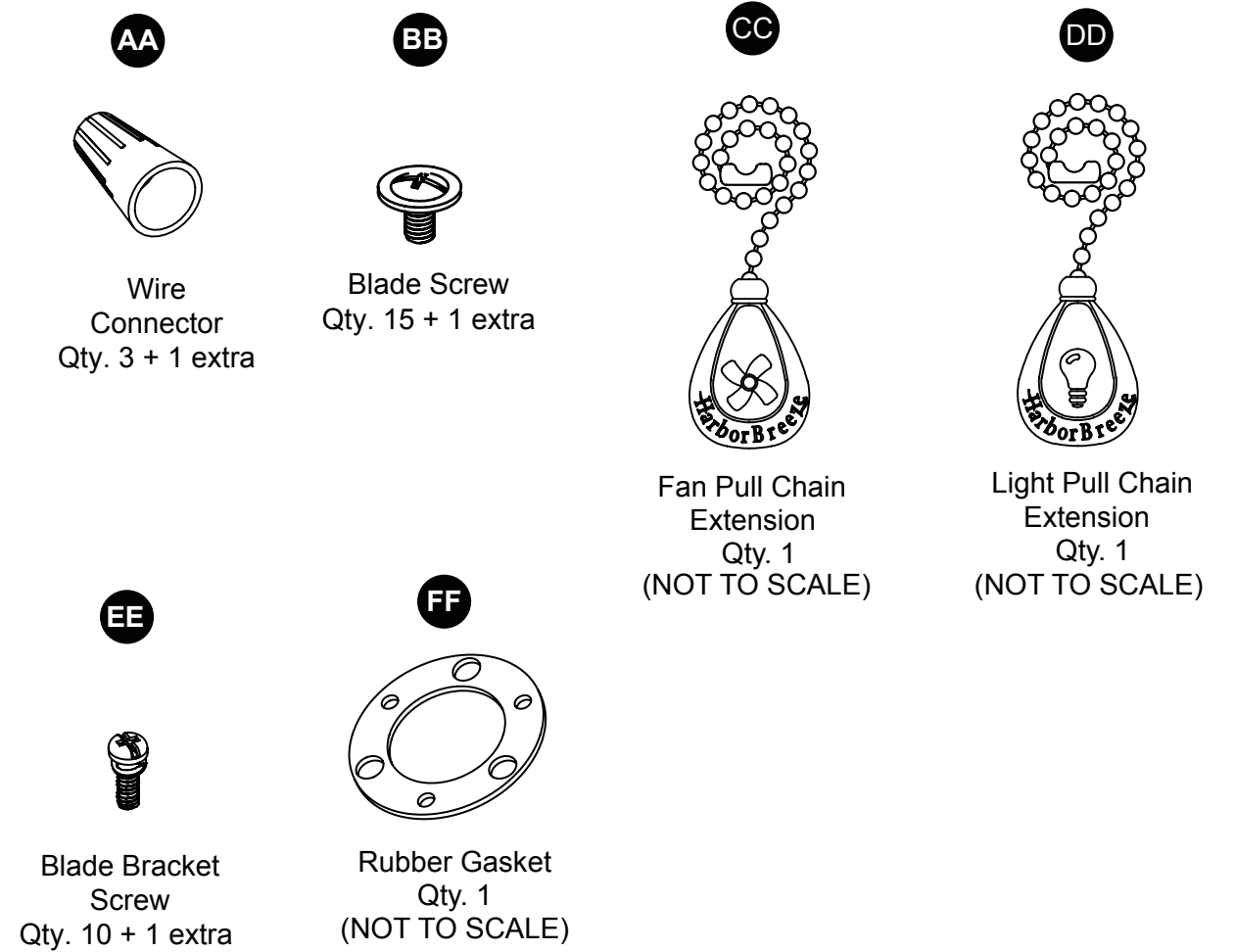


**PACKAGE CONTENTS**



PART	DESCRIPTION	QUANTITY
A	Mounting Bracket (preassembled to canopy (B))	1
B	Canopy	1
C	Canopy Cover (preassembled to canopy (B))	1
D	Yoke Cover	1
E	Downrod Assembly	1
F	Motor Assembly	1
G	Blade Bracket	5
H	Blade	5
I	Switch Box	1
J	Light Kit	1
K	Glass	1
L	Glass Cap (preassembled to light kit (J))	1
M	Finial (preassembled to light kit (J))	1

**HARDWARE CONTENTS (shown actual size)**



**PREPARATION**

Before beginning assembly of product, make sure all parts are present. Compare parts with package contents list and hardware contents list. If any part is missing or damaged, do not attempt to assemble the product.

**Estimated Assembly Time:** 45 minutes.

Tools Required for Assembly (not included): Phillips screwdriver, step ladder, electrical tape, pliers, wire cutters, wire strippers.

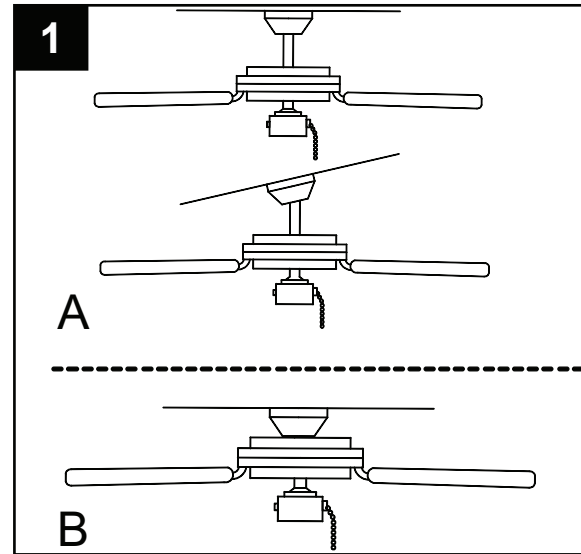
Helpful Tools (not included): Electrical circuit tester.



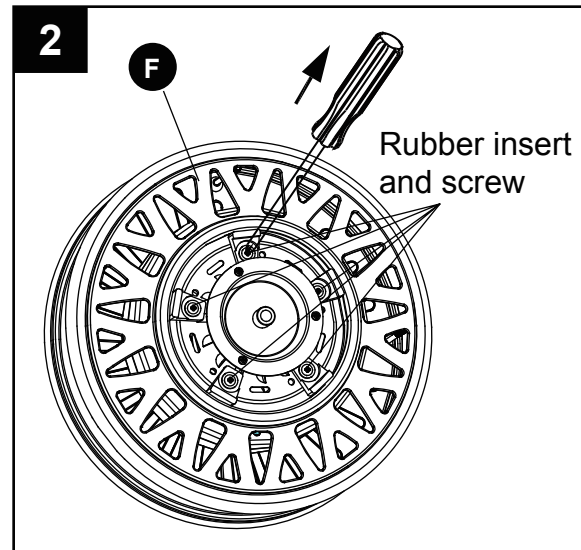
## ASSEMBLY INSTRUCTIONS

- Determine mounting method to use.  
A - Downrod Mount (normal or angled ceiling)  
B - Closemount (normal ceiling only)

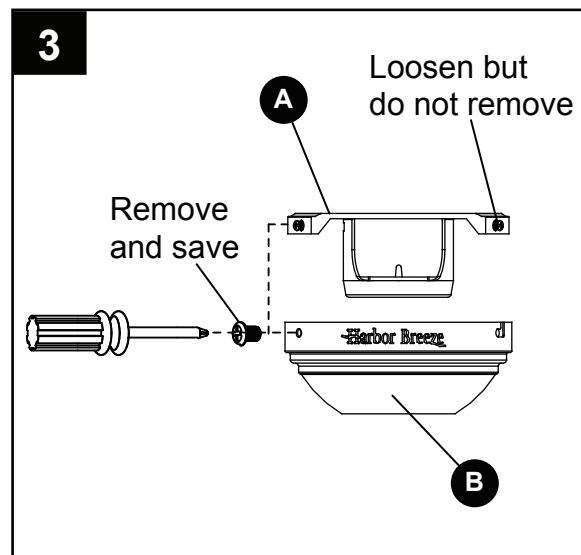
**Important:** If using the angle mount, check to make sure the ceiling angle is not steeper than 20°.



- Remove and discard the five rubber inserts and five mounting screws from the underside of the motor assembly (F).



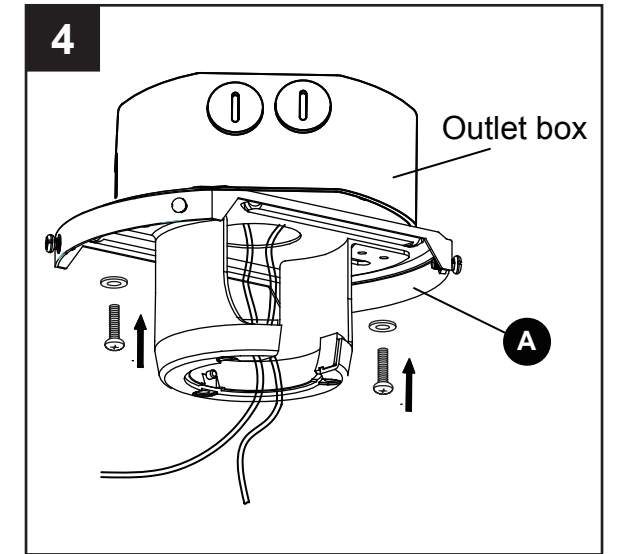
- Remove the mounting bracket (A) from the canopy (B) by loosening the four preassembled screws on the top of the canopy (B). Remove the two non-slotted screws and save.



## ASSEMBLY INSTRUCTIONS

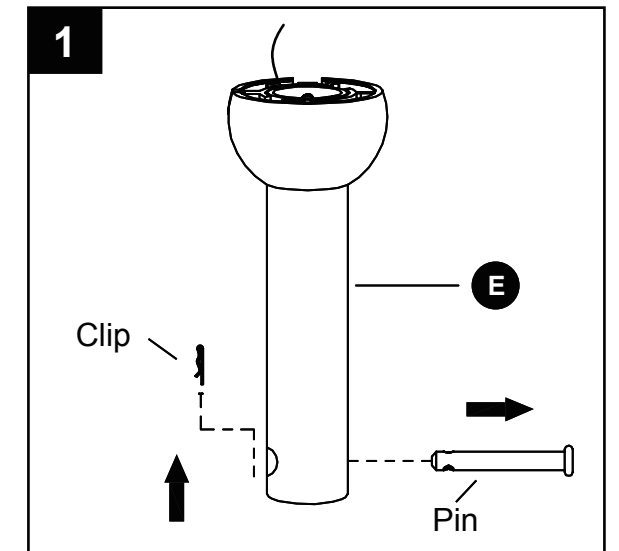
- Install the mounting bracket (A) to the outlet box (not included) using the two screws provided with the outlet box. Securely tighten the two screws.  
If using the angle mount, make sure open end of mounting bracket (A) is installed facing the ceiling.

Follow mounting instructions for **Downrod Style Fan Mounting** on page 7 or **Closemount Style Fan Mounting** on page 8, depending on mounting method (A or B) chosen in step 1 on page 6.

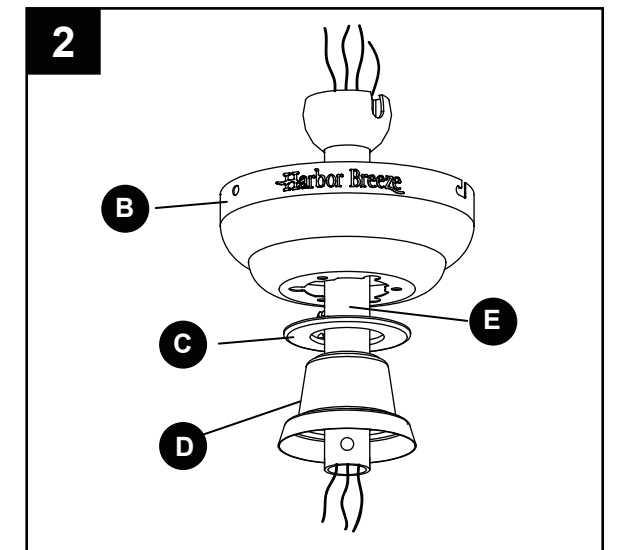


## DOWNROD STYLE FAN MOUNTING

- Remove pin and clip from downrod assembly (E) and save.

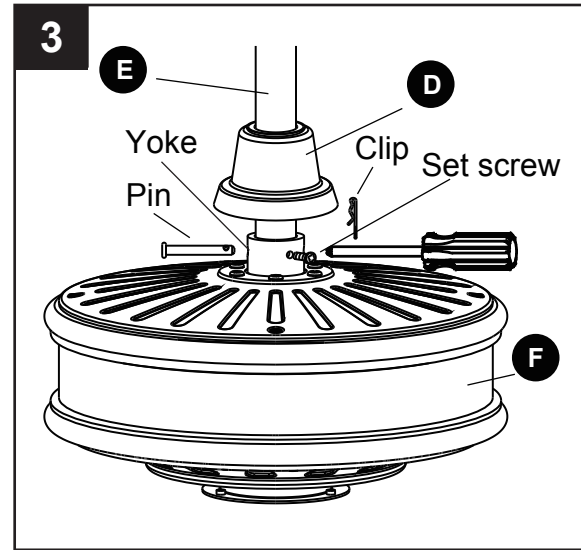


- Insert downrod assembly (E) through canopy (B), canopy cover (C) and yoke cover (D). Thread wires from the motor assembly (F) up through downrod assembly (E).



## DOWNROD STYLE FAN MOUNTING

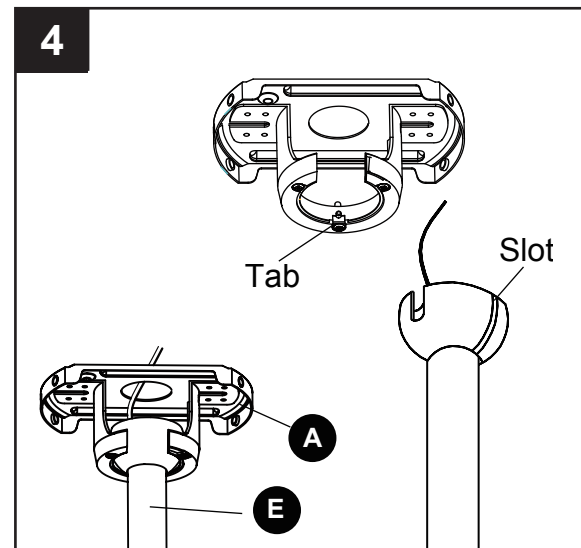
- Loosen the two set screws from the yoke. Slip downrod assembly (E) into yoke, aligning holes in downrod assembly (E) and yoke. Insert the pin through yoke and downrod assembly (E), then insert clip into pin until it snaps into place. Tighten set screws. Slide the yoke cover (D) down over the motor assembly (F).



- Install hanger ball on the top of downrod assembly (E) into mounting bracket (A) opening. Rotate fan until slot on hanger ball engages the tab on the mounting bracket (A).

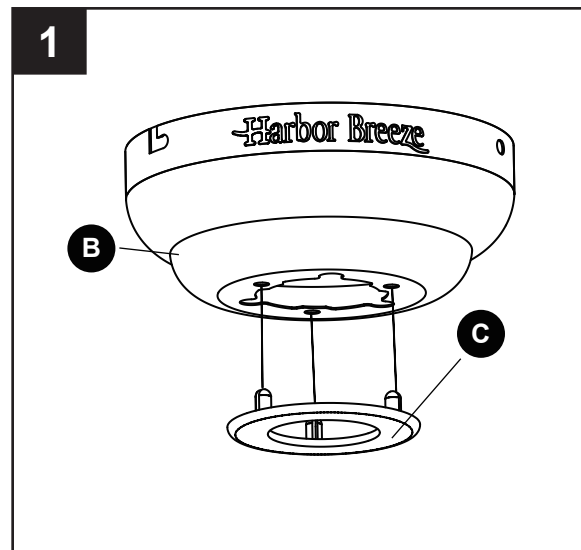
**DANGER:** Be careful when aligning the tab to the slot! If not fully engaged, there is a possibility of fan falling, which may result in serious injury or death.

Proceed to **WIRING** on page 10.



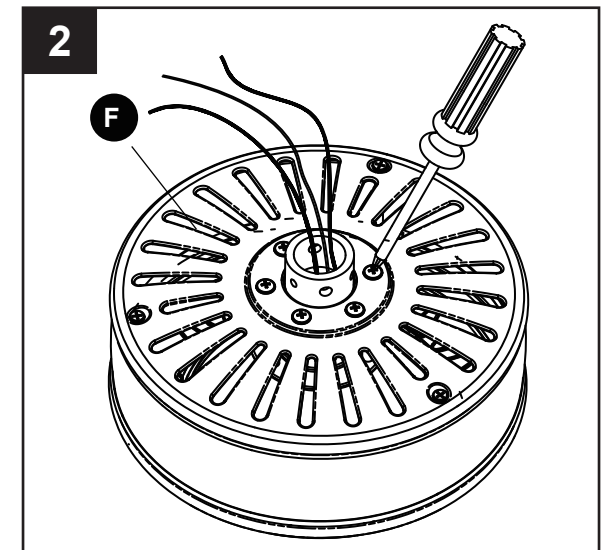
## CLOSEMOUNT STYLE FAN MOUNTING

- Remove the canopy cover (C) from the bottom of the canopy (B).



## CLOSEMOUNT STYLE FAN MOUNTING

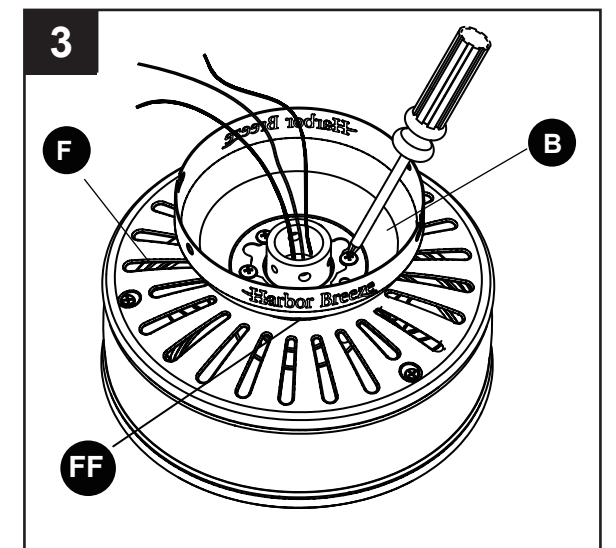
- Remove every other screw from the top of the motor assembly (E) -- for a total of 3 screws -- and save.



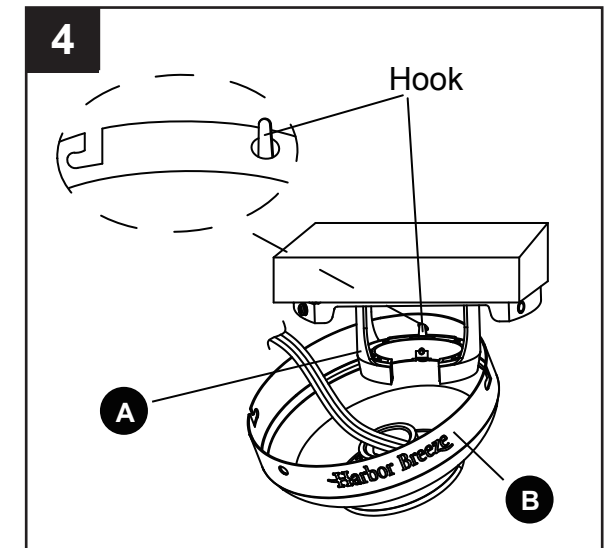
- Place the rubber gasket (FF) over the remaining screws on motor assembly (F). Pull wires from motor assembly (F) through hole in canopy (B), and attach canopy (B) using the three screws previously removed. Tighten the screws securely.

### Hardware Used

FF Rubber Gasket x 1



- Temporarily hang the canopy (B) onto the hook on the mounting bracket (A) using one of the non-slotted holes in the canopy (B). This will allow for hands-free wiring.



## WIRING

1. Connect the **GREEN/GROUND** wire from fan to the **BARE/GREEN** supply wire. Connect the **BLACK/BLUE** wire from the fan to the supply **BLACK** wire. Connect the **WHITE** wire from fan to the supply **WHITE** wire.

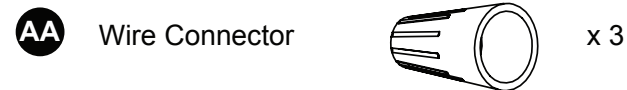
**NOTE:** **BLACK** wire is hot power for fan. **BLUE** wire is hot power for light kit. **WHITE** wire is common for fan and light kit. **GREEN** wire is ground wire.

**WARNING:** If house wires are different colors than referred to above, stop immediately. Consult a licensed electrician to determine proper wiring.

2. To connect wires, twist wire ends together and screw wire with wire connectors (AA) in a clockwise direction. Tape the wire connectors (AA) and wires together with electrical tape (not included). Be sure no bare wire or wire strands are visible after making connection.

Place **GREEN** and **WHITE** connections on opposite side of box from the **BLACK** and **BLUE** connections. The splices should be turned upward and pushed carefully up into the outlet box.

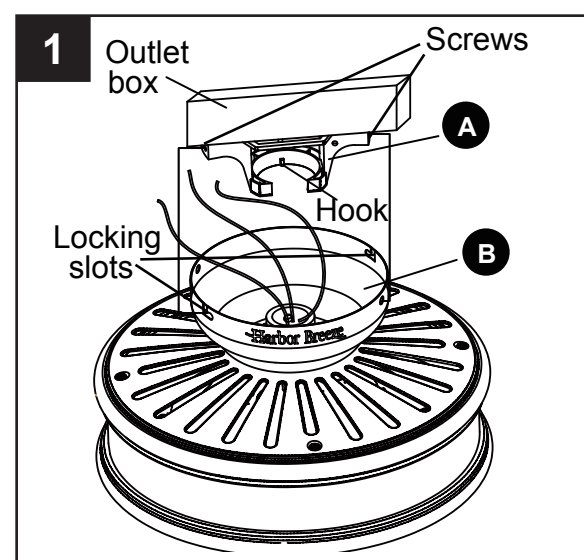
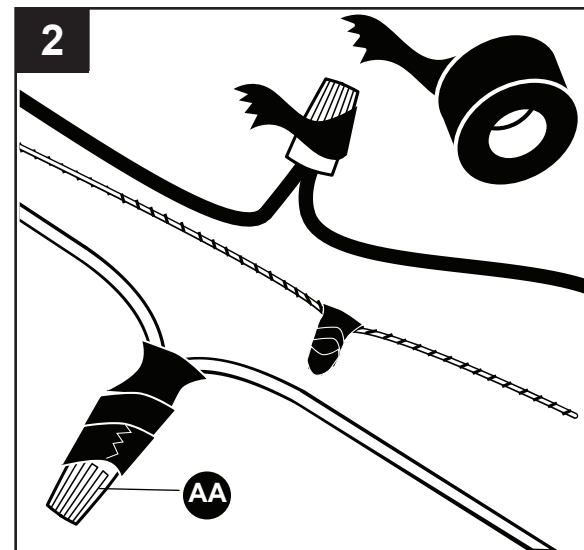
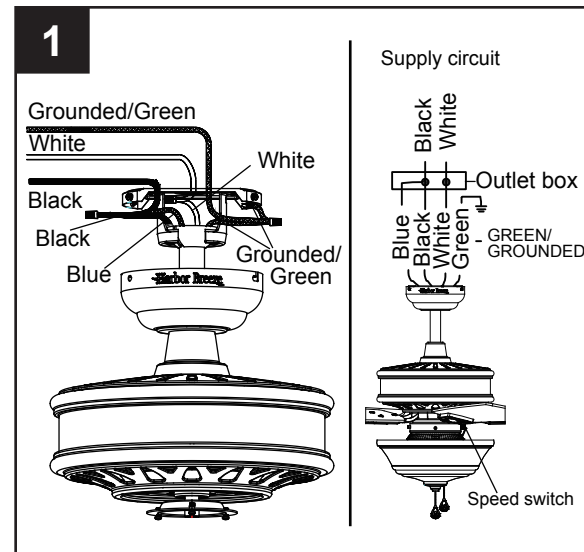
### Hardware Used



## FINAL INSTALLATION

If you installed the fan with “Closemount Style Fan Mounting”, continue to Steps 1 and 2. If you installed the fan with “Downrod Style Fan Mounting”, skip to Step 3.

1. Remove the fan from the hook on the mounting bracket (A). Align the locking slots of the canopy (B) with the two screws previously loosened (step 3, page 6) in the mounting bracket (A). Push up to engage the slots and turn clockwise to lock in place. Immediately tighten the two screws firmly.



## FINAL INSTALLATION

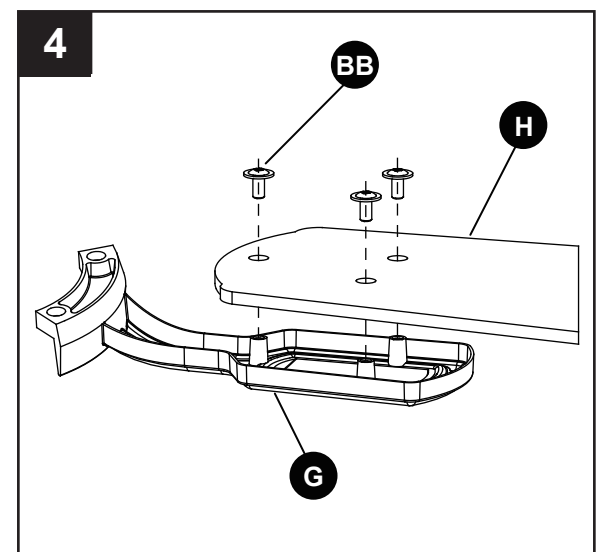
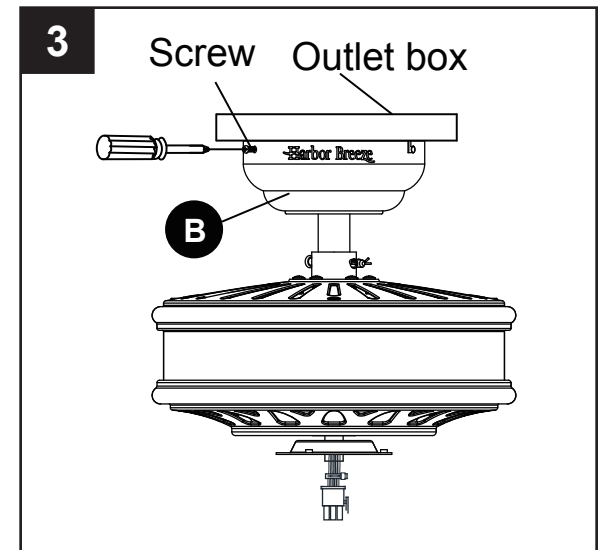
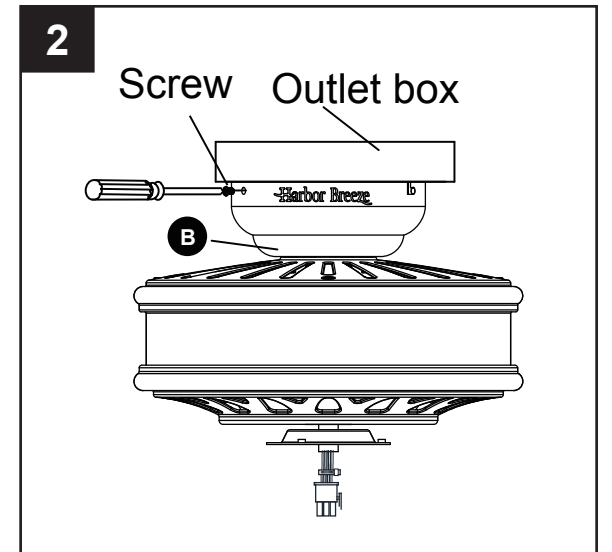
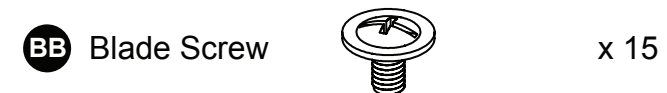
2. Re-install the two screws that were previously removed (step 3, page 6) to fully secure the canopy (B) to the mounting bracket (A).

You may now proceed to **Step 4**.

3. Directly align the locking slots of the canopy (B) with the two screws previously loosened (step 3, page 6) in the mounting bracket (A). Push up to engage the slots and turn clockwise to lock in place. Immediately tighten the two screws firmly, then re-install the two screws that were previously removed (step 3, page 6) to fully secure the canopy (B) to the mounting bracket (A).

4. Attach blade (H) to a blade bracket (G) using three blade screws (BB). Repeat for remaining blade assemblies.

### Hardware Used



## FINAL INSTALLATION

5. Align the post of blade bracket (G) to the slot on the bottom of the motor housing assembly (F). Secure each blade bracket (G) using 2 blade bracket screws (EE).

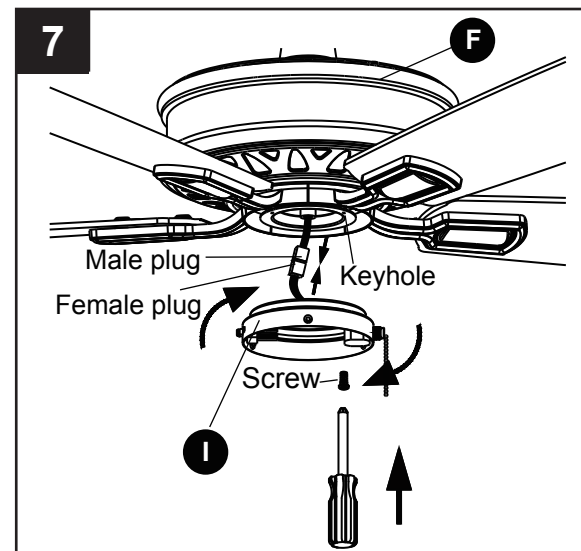
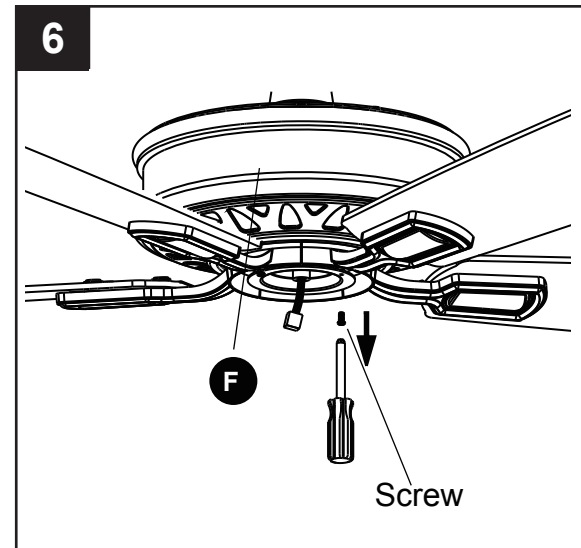
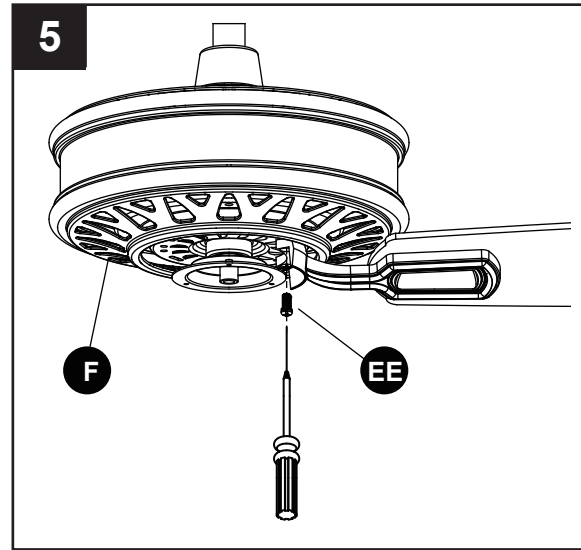
Repeat this step for the remaining blade assemblies.

### Hardware Used

EE Blade Bracket Screw  x 10

6. Loosen two of the three preassembled screws from the support plate of motor assembly (F). Remove and save remaining preassembled screw.

7. Connect the MALE plug from motor assembly (F) to the FEMALE plug from switch box (I). Attach the switch box (I) to the bottom of the motor assembly (F) by aligning the keyholes on the switch box (I) with the loosened screws on the support plate of motor assembly (F). Twist switch box (I) until the loosened screws engage the narrow end of the keyholes, then replace previously removed screw and securely tighten all screws.



## FINAL INSTALLATION

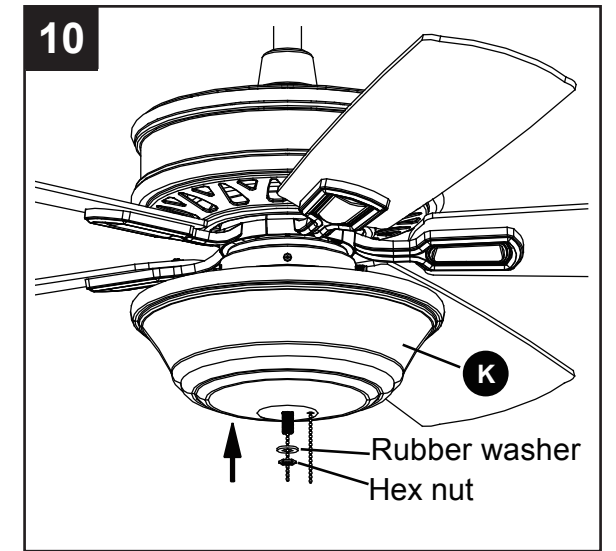
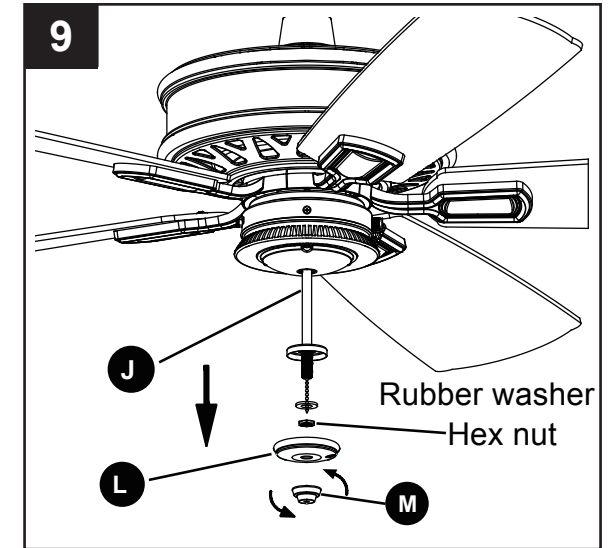
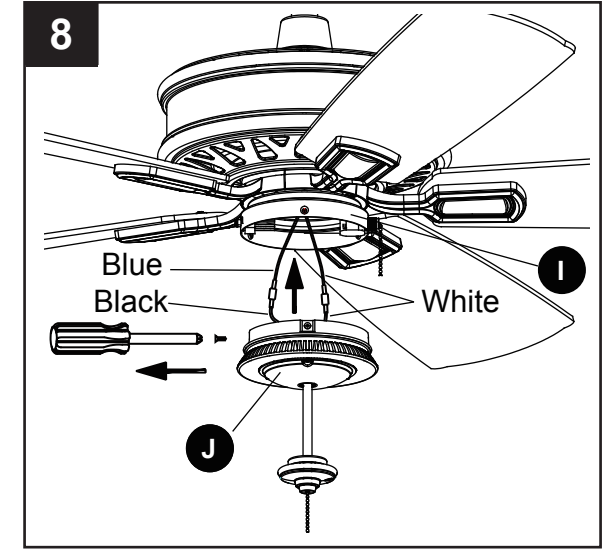
8. Remove and save three preassembled screws from light kit (J). Connect the **BLUE** wire from motor assembly (F) to **BLACK** wire from light kit (J). Connect **WHITE** wire from motor assembly (F) to **WHITE** wire from light kit (J).

Attach the light kit (J) to the switch box (I) on bottom of motor assembly (F). Replace the previously removed screws and securely tighten all screws.

9. Remove the preassembled finial (M), glass cap (L), rubber washer and hex nut from light kit (J).

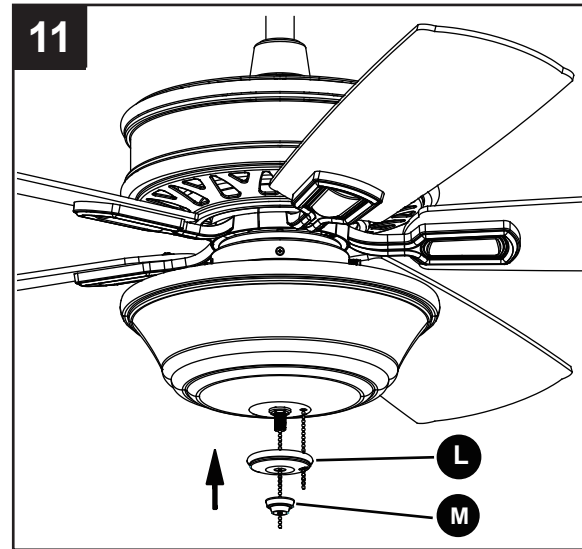
10. Place glass (K) on the preassembled pipe on the light kit (J) until it is flush with the preassembled metal disk. Thread fan pull chain through side hole on glass (K). Make sure pull chain hangs clear and is not tangled in light kit (J). Thread light kit pull chain through center hole on glass (K).

Place previously removed rubber washer and hex nut onto the pipe and securely tighten.



## FINAL INSTALLATION

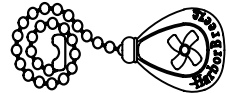
11. Pass fan pull chain through side hole on glass cap (L), then place glass cap (L) and finial (M) over pipe and securely tighten.

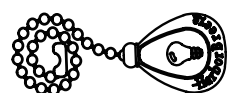


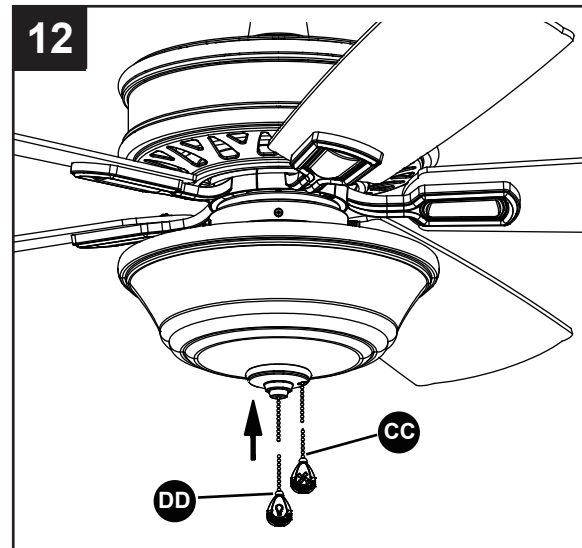
12. Attach fan pull chain extension (CC) and light kit pull chain extension (DD) to corresponding chains.

Assembly is now complete.

### Hardware Used

**CC** Fan pull chain extensions  x 1

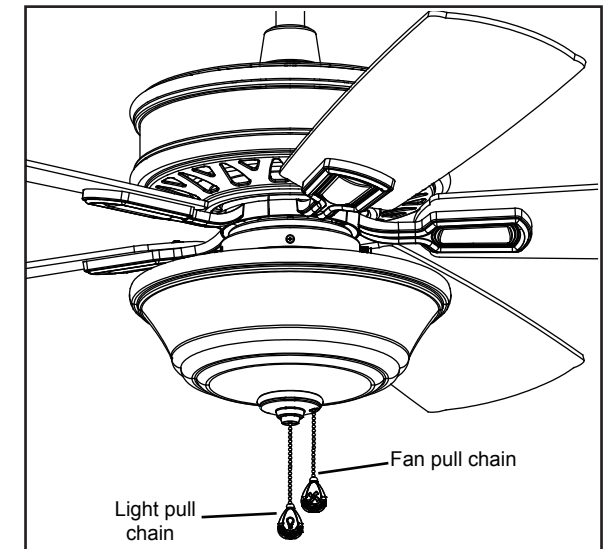
**DD** Light pull chain extensions  x 1



## OPERATING INSTRUCTIONS

### 1. PULL CHAIN:

- The fan pull chain is for motor speed control: High, Medium, Low and Off. Pull chain once for each position.
- The light pull chain controls the light fixture either ON or OFF with each pull of the chain.

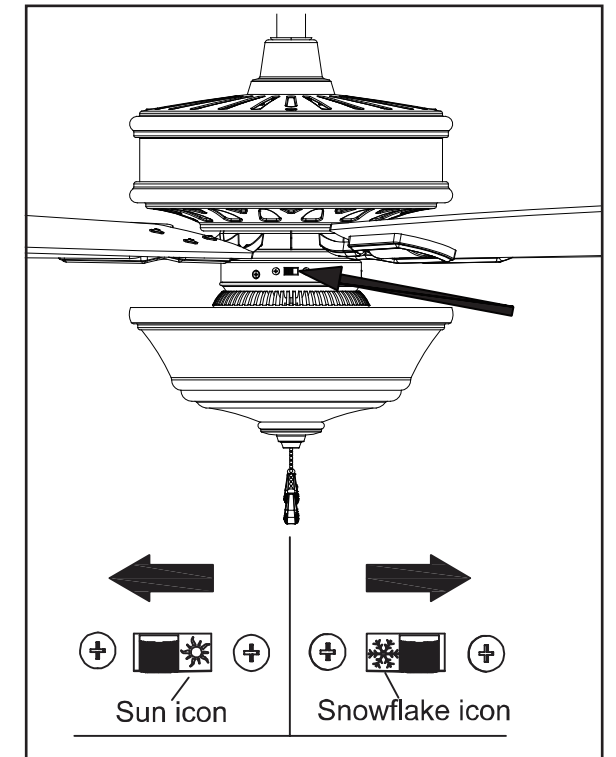


### 2. REVERSE SWITCH:

When the season changes, you may want to change the direction your fan spins. To switch between clockwise and counterclockwise rotations, flip the fan reversal switch.

**WARNING:** Wait for fan to stop before reversing the switch.

- In cooler weather, clockwise rotation creates an upward airflow, which moves hot air from the ceiling into the room. Push the switch RIGHT.
- In warmer weather, counterclockwise rotation creates a downward airflow, which cools the air. Push the switch LEFT.





## CARE AND MAINTENANCE

**IMPORTANT:** Shut off main power supply before beginning any maintenance.

- Do not use water or detergents when cleaning the fan or fan blades. A dry dust cloth or lightly dampened cloth will be suitable for most cleaning.
- Clean fan housing with only a soft brush or lint-free cloth to avoid scratching the finish. Clean blades with a lint-free cloth. You may occasionally apply a light coat of furniture polish to blades for added protection.
- At least twice a year, tighten all screws and lower canopy to check mounting bracket screws and downrod assembly.
- Total fixture wattage: 17 watts; do not attempt to replace LEDs.

## TROUBLESHOOTING

PROBLEM	POSSIBLE CAUSE	CORRECTIVE ACTION
Fan does not move.	<ol style="list-style-type: none"> <li>1. Chain switch is "off".</li> <li>2. Faulty wire connection.</li> <li>3. Reverse switch not engaged.</li> </ol>	<ol style="list-style-type: none"> <li>1. Pull chain switch.</li> <li>2. Turn power off. Loosen canopy, check all connections.</li> <li>3. Push switch firmly either way.</li> </ol>
Noisy operation.	<ol style="list-style-type: none"> <li>1. Blades are loose.</li> <li>2. Cracked blade.</li> <li>3. Unapproved speed control.</li> </ol>	<ol style="list-style-type: none"> <li>1. Tighten all blade screws.</li> <li>2. Replace blades (call customer service).</li> <li>3. Replace with an approved speed control device.</li> </ol>
Excessive wobbling.	<ol style="list-style-type: none"> <li>1. The blades are loose.</li> <li>2. Blade brackets incorrectly attached.</li> <li>3. Unbalanced blades.</li> <li>4. The fan is not securely mounted.</li> <li>5. Fan too close to vaulted ceiling.</li> </ol>	<ol style="list-style-type: none"> <li>1. Tighten all blade screws.</li> <li>2. Reinstall blade brackets.</li> <li>3. Switch with blade from the opposite side.</li> <li>4. Turn power off. Carefully loosen the canopy and remount securely.</li> <li>5. Lower fan or move it to another location.</li> </ol>

## WARRANTY

The manufacturer warrants this fan to be free from defects in workmanship and material present at time of shipment from the factory for lifetime limited from the date of purchase. This warranty applies only to the original purchaser. The manufacturer agrees to correct such defect at no charge or at our option replace the ceiling fan with a comparable or superior model.

To obtain warranty service, present a copy of your sales receipt as proof of purchase. All cost of removal and reinstallation are the expressed responsibility of the purchaser. Any damage to the ceiling fan by accident, misuse, or improper installation, or by affixing accessories not produced by the manufacturer of the fan, are at the purchaser's own responsibility. The manufacturer assumes no responsibility whatsoever for fan installation during the lifetime limited warranty. Any service performed by an unauthorized person will render the warranty invalid.

Due to varying climatic conditions, this warranty does not cover changes in brass finish, rusting, pitting, tarnishing, corroding, or peeling. Brass finish fans maintain their beauty when protected from varying weather conditions. Any glass provided with this fan is not covered by this warranty. Any replacement of defective parts for the ceiling fan must be reported within the first year from the date of purchase. For the balance of the warranty, call our customer service department at 1-866-473-4537 for return authorization and shipping instructions so that we may repair or replace the ceiling fan. Any fan or parts returned improperly packaged is the sole responsibility of the purchaser. There is no further expressed warranty. The manufacturer disclaims any and all implied warranties.

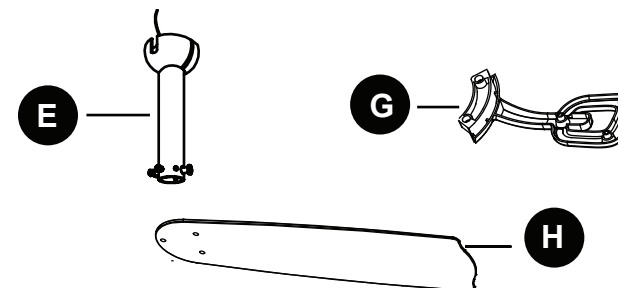
The duration of any implied warranty which can not be disclaimed is limited to the lifetime limited period as specified in our warranty. The manufacturer shall not be liable for incidental, consequential or special damages arising at or in connection with product use or performance except as may otherwise be accorded by law. This warranty gives you specific legal rights and you also have other rights which may vary from state to state. This warranty supersedes all prior warranties.

**Note:** A small amount of "wobble" is normal and should not be considered a defect.

## REPLACEMENT PARTS LIST

For replacement parts, call our customer service department at 1-866-473-4537, 8 a.m. - 7 p.m., EST, Monday - Friday, 9 a.m. - 6 p.m., EST, Saturday.

PART	DESCRIPTION	PART #	
		Item# 0698390	Item# 0698391
E	Downrod Assembly	102200-0150RW	102200-0150BN
G	Blade Bracket	104000-0356RW	104000-0356BN
H	Blade	108002-507059	108002-5070S6



Printed in China

Harbor Breeze® is a registered trademark of LF, LLC. All Rights Reserved.

